



USER GUIDE

SLACKLINE SET

ENGLISH

DEUTSCH

ESPAÑOL

FRANÇAIS

PORTUGUÊS

This manual contains important safety information. Before using the slackline read this manual carefully and make sure you understand and agree to all warnings, cautions, instructions, and safety recommendations. Periodically review the information in this manual and inspect your slackline regularly for signs of damage. Do not use the slackline unless you accept all risk of injury and/or death that may result from your use.

WARNING! THE SLACKLINE IS A DANGEROUS PIECE OF EQUIPMENT EVEN WHEN USED PROPERLY:

PARENTS OF MINORS AND MINORS: Minors should not use the slackline unless they are under constant competent adult supervision. Make sure that the slackline is only installed in areas where minors cannot access the slackline without such adult supervision. Minors should never use the ratchet or adjust the tension of the slackline at any time.

The slackline was developed solely for one adult to improve his or her balance by slowly walking across the slackline over a flat, even and soft landing area without any obstacles, people, projections, or hazards nearby. The slackline must only be used in the manner described in this Manual.

USING A SLACKLINE CAN BE A DANGEROUS ACTIVITY THAT MAY RESULT IN SERIOUS INJURY AND/OR DEATH EVEN WHEN USED PROPERLY. USE AT YOUR OWN RISK AND ALWAYS USE COMMON SENSE.

Make sure that the slackline is fixed only to anchors as described in section 3.1 and 3.2 below. Do NOT attach the slackline to any anchor point that is too weak to safely anchor and use the slackline or that is not fixed. For example, do NOT attach the slackline to one or more cars. www.gibbonslacklines.com contains additional information.

Make sure that the ground and landing area over which the slackline is suspended is flat, even, and soft. You will be falling onto it!

DO NOT set the slackline at any height above 18 inches / 50 centimeters.

Make sure that there are no obstacles, hazards, people, or projections near the slackline that could injure you in a fall. Only use the slackline at locations without any hazards and/or dangers.

- Always wear sturdy, tightly laced athletic shoes with flat rubber soles.
- Do NOT walk the slackline barefoot or in sandals or using shoes with lugged soles.
- Keep all spectators at least 3 meters (9 feet) from the slackline.
- Never use the slackline at dusk or night or in wet or icy conditions.
- Do NOT allow more than one person to use the slackline at any time.
- Do NOT exceed 220 pounds (100 kg) in weight on the slackline at any time.
- THIS SLACKLINE IS NOT INTENDED FOR PERFORMING ANY TRICKS, INCLUDING BUT NOT LIMITED TO JUMPING, FLIPPING, ETC. RISK OF INJURY AND/OR DEATH INCREASES SIGNIFICANTLY WHEN TRICKS ARE ATTEMPTED OR PERFORMED.

This slackline is not impervious to damage. THE SLACKLINE MUST BE PROPERLY MAINTAINED AND INSPECTED BEFORE EVERY USE. FAILURE TO INSPECT AND MAINTAIN THE SLACKLINE BEFORE EACH USE MAY RESULT IN INJURY AND/OR DEATH. THE USE OF ANY PARTS NOT PROVIDED BY THE MANUFACTURER ARE NOT RECOMMENDED AND MAY DAMAGE THE SLACKLINE, IMPACT PERFORMANCE, SHORTEN THE LIFESPAN OF THE PRODUCT, AND CAUSE INJURY AND/OR DEATH.

NATURAL WEAR NOT RELATED TO WARRANTY CLAIMS:

Wear on the loop protection is not taken into warranty consideration – In usage the slackline is confronted with permanent dynamic stresses. Wear on the loop protection hence does not get considered for warranty claims.

Related to the topic above the wear on the print of the slackline is excluded from warranty claim. Wear on the Slackline that is caused by incorrect usage like for example when wrapping the slackline around sharp corners can not be claimed for warranty. The Slackline is a sportsproduct and under usage naturally is confronted with wear.

WASHING AND MAINTENANCE INSTRUCTIONS:

For ideal maintenance we recommend cleaning the ratchet and seal it with standard machine lubricant. Please rinse entire Slackline with clear freshwater after usage in saltwater. Before every usage of the Slackline please check all parts for damage. Please only wash with medium warm clear water.

ADDITIONAL SAFETY REGULATIONS:

The Slackline system is only allowed to be tensioned by hand and by one person only.

The chosen Anchors neither are allowed to have any sharp corners or be in a condition to potentially harm the slackline.

Is only allowed to be installed with protective flooring underneath.

Is never to be tensioned with other means (such as cars) than the equipment provided inside the set.

Please do not leave the slackline unattended when derigged. Small children could get tangled up in the slackline.

The slackline is not allowed to be modified in length by using knots.

FAILURE TO:

- USE COMMON SENSE,
- USE THE SLACKLINE AS RECOMMENDED IN THIS MANUAL, AND/OR
- HEED THE WARNINGS AND INSTRUCTIONS IN THIS MANUAL
- SIGNIFICANTLY INCREASES THE RISK OF SERIOUS INJURY AND/OR DEATH.
- WHEN ASSEMBLED, THE SLACKLINE IS UNDER SIGNIFICANT TENSION WHICH MAY EQUAL OR EXCEED 1500 lbs (7 kN/700 kg). DUE TO THE HIGH TENSION OF THE SLACKLINE, GREAT CARE MUST BE EXERCISED WHEN USING THE SLACKLINE TO DECREASE THE RISK OF INJURY AND/OR DEATH. OVERLOADING THE SLACKLINE WITH MORE THAN 220 POUNDS (100 kg) AND/OR MORE THAN ONE PERSON INCREASES THE TENSION AND MAY CAUSE THE SLACKLINE AND/OR RATCHET TO FAIL RESULTING IN INJURY AND/OR DEATH.

Check local laws regarding slacklines to see where and how you may lawfully use the slackline. In some cities and states slacklining use on public property is illegal, restricted, or banned.

You may see people on TV or on the Internet performing tricks or stunts on a slackline. These are people who have been practicing for a long time, who are highly skilled, and who accept the risk of all injury and/or death. DO NOT ATTEMPT TO PERFORM ANY TRICKS ON THIS SLACKLINE UNLESS YOU ACCEPT ALL RISK OF INJURY AND/OR DEATH.

THE MANUFACTURER AND RESELLERS OF THIS SLACKLINE EXPLICITLY DISCLAIM ANY AND ALL RESPONSIBILITY AND LIABILITY FOR ANY DEATH, PARALYSIS, INJURY, AND/OR DAMAGE TO ANY PERSON OR PROPERTY THAT MAY OCCUR THAT ARISES OUT OF OR IS IN ANY WAY RELATED TO THE USE OF THIS PRODUCT.

WARRANTY:

This product is warranted against any material or manufacturing defect for two (2) years from the purchase date as stated on a valid receipt. THIS WARRANTY DOES NOT COVER OR INCLUDE ANY DAMAGE OR DEFECT CAUSED BY: NORMAL WEAR AND TEAR, MODIFICATIONS OR ALTERATIONS, INCORRECT STORAGE, POOR MAINTENANCE, AND/OR DAMAGE DUE TO ACCIDENTS, NEGLIGENCE, OR MISUSE (INCLUDING BUT NOT LIMITED TO ANY USE NOT EXPLICITLY APPROVED IN THIS MANUAL). Be sure to thoroughly dry the slackline before storing.

Other than as described above, THE MANUFACTURER, SELLERS, AND RESELLERS OF THIS PRODUCT MAKE NO OTHER REPRESENTATIONS AND/OR WARRANTIES, EITHER EXPRESS OR IMPLIED, REGARDING THE PRODUCT, INCLUDING WITHOUT LIMITATION, ANY WARRANTIES AS TO MERCHANTABILITY, QUALITY, OR FITNESS FOR A PARTICULAR PURPOSE. THE MANUFACTURER, SELLERS, AND RESELLERS SHALL NOT BE LIABLE IN ANY WAY WHATSOEVER FOR SPECIAL, INDIRECT, CONSEQUENTIAL, OR INCIDENTAL DAMAGES, WHETHER BASED ON BREACH OF CONTRACT, BREACH OF WARRANTY, TORT (INCLUDING NEGLIGENCE), PRODUCT LIABILITY OR OTHERWISE, EVEN IF THEY HAVE BEEN ADVISED OF THE POSSIBILITY OF SUCH DAMAGES. THE SLACKLINE USER AGREES THAT HIS OR HER FULL REMEDY AGAINST THE MANUFACTURER, SELLERS, AND RESELLERS FOR ANY LIABILITY, CLAIMS, OR DAMAGES, SHALL BE LIMITED TO THE PURCHASE PRICE OF THE SLACKLINE, AND IRREVOCABLY WAIVE ALL CLAIMS FOR ANY OTHER DAMAGES THAT SUCH SLACKLINE USER MAY HAVE.

FURTHER WARNINGS:

ATTENTION! Do not use any other parts or materials to install the slackline or in connection with the use of the slackline other than the parts and materials provided by Gibbon Slacklines.

USE OF THE RATCHET IS DANGEROUS AND MAY LEAD TO INJURY AND/OR DEATH. THE RATCHET MUST NEVER BE USED BY MINORS AND EXTREME CARE AND CAUTION MUST BE TAKEN WHEN USED BY ADULTS. THE SLACKLINE STRAP MUST NOT EXCEED TWO AND A HALF ROTATIONS AROUND THE AXLE OF THE RATCHET. (See subsection 3.4 below.)

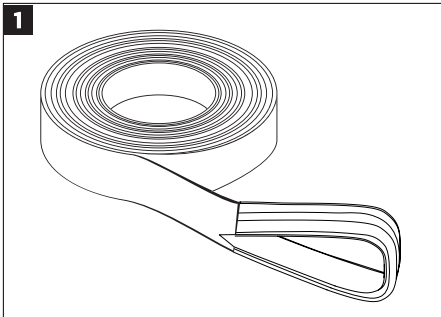
The tension on the lever of the ratchet must not exceed 85 pounds (approx. 378N/38.5kg) to prevent seizure and/or failure of the slackline system resulting in serious injury and/or death. NEVER USE YOUR LEGS OR ANY DEVICE OR BODY PART OTHER THAN YOUR HANDS TO OPERATE THE RATCHET.

This slackline must not be attached or assembled between vehicles (e.g., cars or trucks) for various reasons, including because the tension can easily exceed the safety limit of 85 pounds (approx. 378N/38.5kg). This slackline must not be assembled or used at any height above 18 inches (50 cm).

Slacklining is a beautiful sport, but its dangers, including serious injury and/or death, are significant and must never be underestimated!

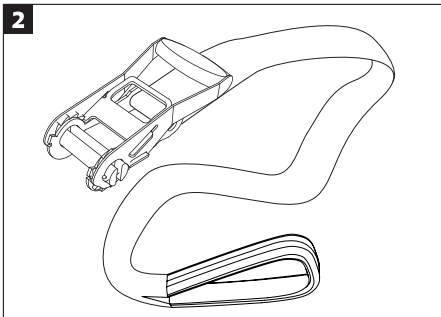
ASSEMBLY:

The Gibbon Slackline is designed for quick and easy assembly if you follow the directions in this Manual. The slackline consists of only two components:



THE BAND:

2 inch wide (50 mm) Gibbon Flexband with covered strap (also referred to as the "slackline" or "line" in this Manual)



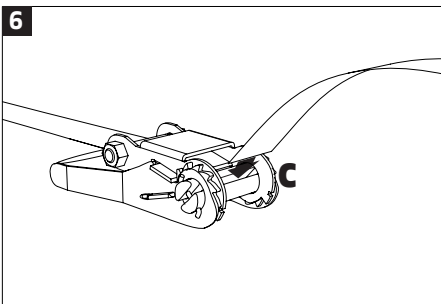
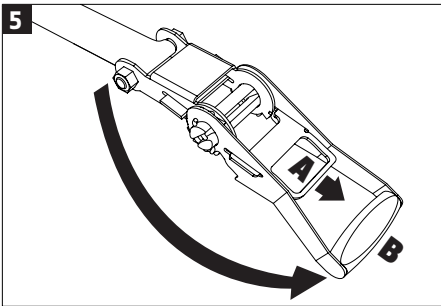
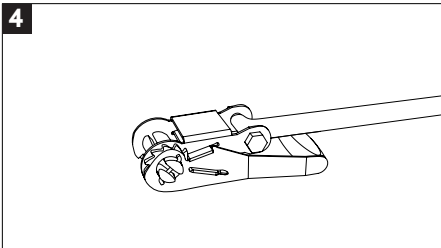
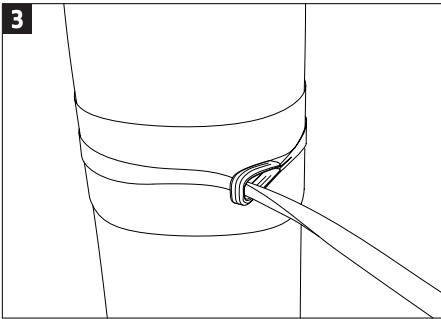
THE RATCHET:

Fixed to a 6 foot (2m) long x 2 inch (50 mm) wide Gibbon Flexband with covered strap

Except for the tree protection described below, and which is only included in X13 Treepro sets: DO NOT USE ANY OTHER COMPONENTS, PARTS OR MATERIALS WITH THIS SLACKLINE SET OTHER THAN THE BAND AND THE RATCHET DESCRIBED ABOVE!

ANCHORING THE SLACKLINE:

The Gibbon Slackline must only be fixed to trees that have a minimum circumference of 40 inches (1m) or 12 inches (30cm) diameter and a maximum circumference of 70 inches (1.8m). DO NOT ATTACH THE SLACKLINE TO ANY TREE THAT CANNOT WITHSTAND A MINIMUM FORCE OF 2200 POUNDS (10 kN/1000kg). Use a carpet or soft rubber mat to protect trees from any unnecessary damage due to the slackline.



ANCHORING THE BAND:

Locate a suitable and safe location with two trees as described in subsection 3.1 above with no hazards, obstacles, projections, or other dangers nearby. Wrap the band flat around the tree trunk at a height of approximately 18 inches (50cm). Thread the band through the strap to form a noose around the trunk of the tree. In order to horizontally align the band, fold the band in a U shape at the place where it threads through the loop end of the strap as shown in the photo.

ANCHORING THE RATCHET:

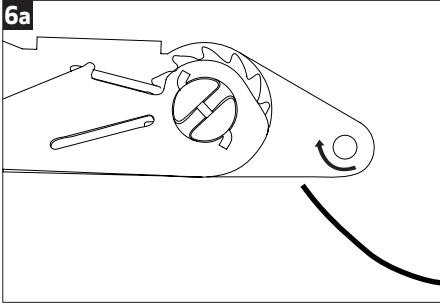
As with the band, locate a suitable and safe location with two trees as described in subsection 3.1 (Image 3) above with no hazards, obstacles, projections, or other dangers nearby. Wrap the band attached to the ratchet flat around the other tree trunk at a height of approximately 18 inches (50cm) (Image 3). Thread the ratchet through the strap to form a noose around the tree trunk.

In order to horizontally align the band, fold the band in a U shape at the place where it threads through the loop end of the strap as shown in Image 3.

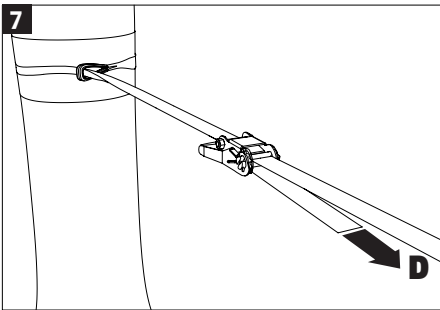
To reduce the risk of serious injury and/or death, install the ratchet with the lever facing down toward the ground as shown in Image 4.

Release the ratchet (pull on the small lever inside the ratchet marked "A" in Image 5) and open the main lever ("B" in Image 5).

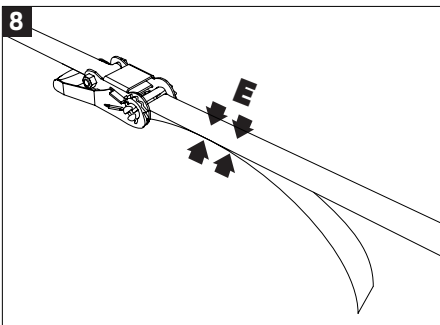
Thread the band through the slot in the axle ("C" in Image 6).



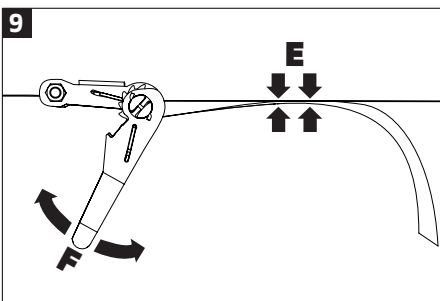
Additional information for the Surfer Line Ratchet and Andy Lewis Trickline:
Please thread the slackline into the ratchet slot from the above when the ratchet facing upside down as indicated on the ratchet with an arrow. Please refer to Image 6a.



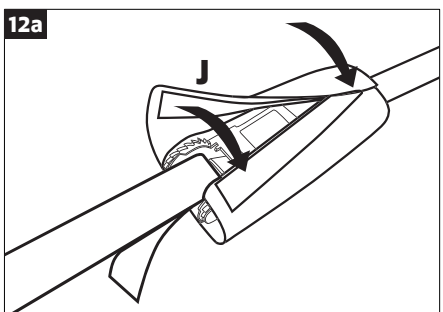
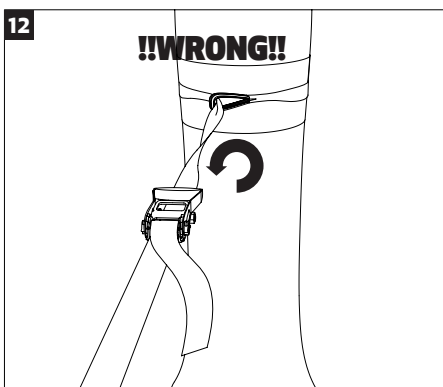
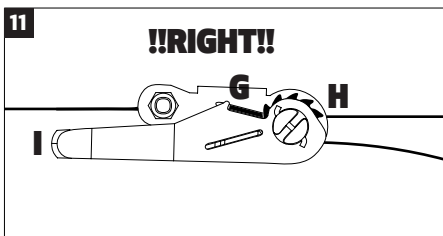
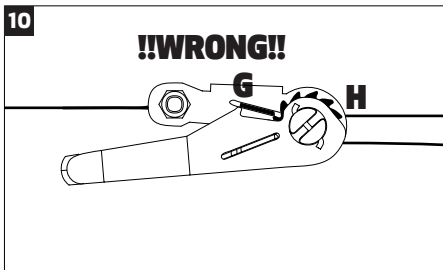
Pull the band through the axle until the band is taut (i.e., there is no slack in the band) ("D" in Image 7).



Once the band is taut through the axle, use one hand to hold both sides of the band together ("E" in Image 8 & 9).



Begin tightening the ratchet. ("F" in Image 9)



IMPORTANT! The slackline must not exceed two and a half rotations around the axle of the ratchet.

The tension on the lever of the ratchet must NEVER exceed 85 pounds (approx 378N/38.5kg) to prevent seizure and/or failure of the system that may result in serious injury and/or death.

As soon as the band reaches the desired tension, check the ratchet to ensure that the bolt ("G" in Image 10 & 11) rests neatly in the cogging ("H" in Image 10 & 11) and bring the lever back up to a horizontal position parallel to the band ("I" in Image 11).

DO NOT USE THE SLACKLINE IF THE RATCHET IS NOT FULLY SECURED AND LOCKED (UNLOCKED: Image 10; LOCKED: Image 11)!

Tip: The closed lever ("I" in Image 11) is a good indicator that the bolt rests in the cogging and that the ratchet is secured and locked.

You may adjust the tension of the band according to your personal preference, so long as the tension does not exceed 85 pounds (378N/38.5 kg).

ABRASION:

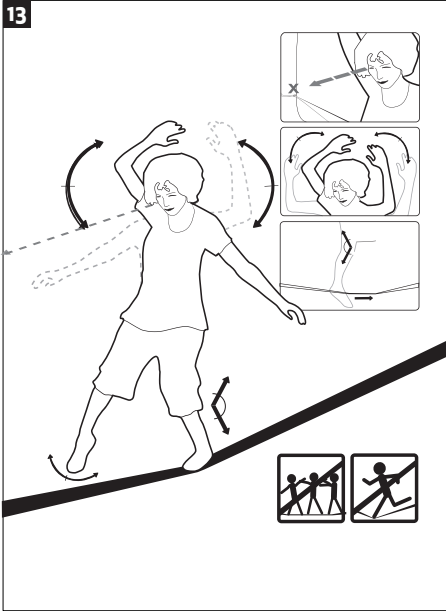
Protect the band from unnecessary abrasion, sharp edges, and any other rough places. Inspect the Slackline before and after each use and if abrasion is discovered, stop using the Slackline.

Do not ever twist the band. (See Image 12 below.) Twisting causes the ratchet to flip over to the top of the band and you can be injured more easily. Twisting also accelerates abrasion of the band.

APPLYING THE RATCHET PROTECTION:

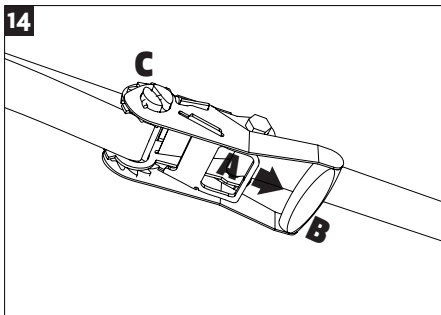
(not included in Surfer Line X13 sets)

Once the Slackline has been tensioned correctly and the ratchet lever closed, wrap the ratchet protection (J) around the ratchet and seal with the velcro and push buttons.



WALKING THE SLACKLINE:

Tips: Look at the anchor point of the band in front of you for balance. Move your arms to correct imbalances. Keep your knees bent. **IMPORTANT:** For safety reasons there should never be more than one person on the slackline! **NEVER RUN** on the slackline!

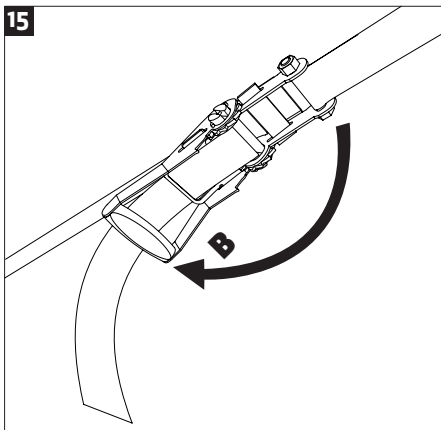


DISMANTLING THE SLACKLINE:

To release the ratchet pull the safety lever ("A" in Image 14) to unlatch the ratchet and open the main lever ("B" in Image 14) until the safety lever detaches from the cogwheel ("C" in Image 14) and the band is released (Image 15).

IMPORTANT! The band is under tension and injury and/or death may occur if not carefully dismantled.

Once the band is released, detach the band from the ratchet, inspect the band for abrasions and damage, make sure the band is clean and dry, and roll up the band and place it in its storage bag.



www.gibbon-slacklines.com



BEDIENUNGSANLEITUNG

SLACKLINE SET

ENGLISH
DEUTSCH
ESPAÑOL
FRANÇAIS
PORTUGUÊS

Dieses Handbuch enthält wichtige Sicherheitsinformationen. Lesen sie bitte das Handbuch vor der Verwendung dieses Produktes sorgfältig durch und stellen sie sicher, dass sie alles verstehen und allen Warnungen, Instruktionen, und Sicherheitsempfehlungen zustimmen. Lesen sie regelmäßig die Information in diesem Handbuch nach. Untersuchen sie ihre Slackline regelmäßig auf Anzeichen von Schäden. Verwenden sie die Slackline nicht wenn sie nicht die ganze Gefahr von Verletzungen und/oder der möglichen Konsequenzen akzeptieren, die sich aus ihrem Gebrauch ergeben kann.

1.0 WARNUNG! EINE SLACKLINE KANN SELBST BEI RICHTIGER VERWENDUNG GEFÄHRLICH SEIN: ELTERN VON MINDERJÄHRIGEN UND MINDERJÄHRIGE: Minderjährige sollten die Slackline niemals ohne die Aufsicht von Erwachsenen verwenden. Stellen Sie sicher, dass die Slackline nur an Orten installiert wird, wo Minderjährige nur unter Aufsicht von Erwachsene darauf zugreifen können. Minderjährige sollten die Ratsche niemals bedienen und die Spannung der Slackline damit regulieren.

Die Slackline wurde allein für Erwachsene entwickelt, um das Gleichgewicht zu verbessern. Sie sollte nur über ebenen, flachen und weich zu landenden Stellen in einer niedrigen Höhe gespannt werden. Irgendwelche Hindernisse, Menschen oder sonstige Gefahren in der Nähe der Slackline sollten vermieden werden! Auf der Slackline stets langsam laufen. Die Slackline darf nur auf die in diesem Handbuch näher beschriebene Art und Weise verwendet werden. **DAS VERWENDEN EINER SLACKLINE KANN EINE GEFÄHRLICHE TÄTIGKEIT SEIN, DIE AUF ERNSTE VERLETZUNGEN UND/ODER TOD HINAUSLAUFEN KANN; SELBST WENN SIE RICHTIG VERWENDET WIRD. DIE VERWENDUNG DER SLACKLINE GESCHIEHT AUF IHRE EIGENE GEFAHR: VERWENDEN SIE IMMER IHREN GESUNDEN MENSCHENVERSTAND.**

Stellen Sie sicher, dass die Slackline nur an Ankern befestigt wird wie im Abschnitt 3.1 und 3.2 beschrieben. Befestigen Sie die Slackline niemals an Ankern, die zu schwach für eine sichere Befestigung der Slackline sind. Beispiel: Befestigung an Autos, Laternenpfosten, dünne Bäume (Durchmesser <30cm), etc. Weitere Infos finden Sie unter www.gibbon-slacklines.com. Stellen Sie sicher, dass der Boden unter der gespannten Slackline eben und die Landung weich sind. Sie werden darauf fallen! Spannen Sie die Slackline keinesfalls höher als 18 Zoll/50 Zentimeter.

Stellen Sie sicher, dass es keine Hindernisse, Menschen, Ecken, Kanten, spitze Gegenstände oder sonstige Gefahren in der Nähe Ihrer gespannten Slackline gibt, an denen Sie oder andere Personen sich verletzen könnten. Verwenden Sie die Slackline nur an Stellen ohne jegliche Gefahren:

- Tragen Sie bei der Benutzung der Slackline immer festes Schuhwerk mit flachen, rutschfesten Sohlen.
- Das Laufen mit Sandalen, Flipflops und sonstigem losen Schuhwerk sowie barfuß kann gefährlich sein und sollte vermieden werden.
- Halten Sie alle Zuschauer mindestens 3 Meter (9 Fuß) von der Slackline entfernt.
- Verwenden Sie die Slackline nie an dunklen Orten, bei Nacht oder in nassen oder eisigen Bedingungen.
- Erlauben Sie nie mehr als einer Person die Slackline zu verwenden.
- Überschreiten Sie niemals das Gewicht von 220 Pfund bzw. 100 Kg auf der Slackline.
- Diese Slackline ist nicht zum Springen und Durchführen von Tricks geeignet.
- Sollten diese dennoch durchgeführt werden, ist mit einem enormen Anstieg des Verletzungsrisikos zu rechnen!

Diese Slackline ist nicht frei von Verschleiß.

ÜBERPRÜFEN SIE SLACKLINE UND RATSCHEN SORGFÄLTIG VOR JEDEM GEBRAUCH.

EINE NICHTÜBERPRÜFUNG KANN AUF VERLETZUNGEN UND/ODER TOD HINAUSLAUFEN. DER GEBRAUCH ANDERER, VOM HERSTELLER NICHT ZUR VERFÜGUNG GESTELLTEN TEILE WIRD NICHT EMPFOHLEN, DA SIE DIE SLACKLINE BESCHÄDIGEN, DEREN PERFORMANCE BEEINTRÄCHTIGEN, DIE LEBENSDAUER DES PRODUKTES VERKÜRZEN UND VERLETZUNG VERURSACHEN KÖNNEN.

1.1 NATÜRLICHE ABNUTZUNG VON DEN GARANTIEANSPRÜCHEN AUSGENOMMEN:

Eine natürliche Abnutzung der Slackline ist von den Garantieansprüchen ausgenommen. Die Slackline ist ein Sportgerät und wird durch die permanenten, dynamischen Belastungen automatisch in der Anwendung abgenutzt. Abnutzungserscheinungen an der Schlaufe, am Schlaufenschutz, am Druck, an der Ratsche, etc. sind von den Garantieansprüchen ebenso ausgenommen und werden nicht als Reklamationsgrund anerkannt.

1.2 WASCHANLEITUNG UND HINWEISE ZUR KORREKTEN INSTANDHALTUNG:

Für eine maximale Lebensdauer der Ratsche empfehlen wir die regelmäßige Verwendung von handelsüblichen Schmierölen. Nach jedem Kontakt mit Salzwasser, Sand, etc. die Ratsche mit klarem, lauwarmen Wasser abspülen.

Vor jeder weiteren Verwendung bitte Slackline und Ratsche gründlich auf Schäden untersuchen.

1.3 ZUSÄTZLICH SICHERHEITSHINWEISE:

Die Slackline ist nur per Hand und nur durch eine Person anzuspinnen.

Externe Hilfsmittel wie Autos sind unter keinen Umständen für das Spannen der Slackline einzusetzen. Die Slackline ist nur mit der/den im Set inbegriffenen Ratsche(n) anzuspinnen. Anschlagpunkte mit Ecken und Kanten welche die Slackline in jeglicher Weise beschädigen könnten sind zu vermeiden.

Die Slackline ist nur an Orten aufzubauen wo der Untergrund unter der Slackline weich bzw. gepolstert ist. Bei Kleinkindern ist zu beachten, dass die Slackline weder im aufgebauten noch im abgebauten Zustand unbeaufsichtigt gelassen wird, um die Gefahr des Erdrosselns zu vermeiden. Die Slackline darf nicht mit Knoten modifiziert werden.

1.4 ACHTUNG:

- VERWENDEN SIE IMMER IHREN GESUNDEN MENSCHENVERSTAND,
- VERWENDEN SIE DIE SLACKLINE NUR WIE IN DIESEM HANDBUCH EMPFOHLEN
- BEACHTEN SIE DIE DARIN ENTHALTENEN WARNUNGEN UND INSTRUKTIONEN UM DIE GEFAHR VON ERNSTEN VERLETZUNGEN UND/ODER DES TOD ZU VERMEIDEN.
- AUFGEBAUT BEFINDET SICH DIE SLACKLINE UNTER EINER ENORMEN SPANNUNG, DIE 7 kN/700 KG ÜBERSCHREITEN KANN. WEGEN DIESER HOCHSPANNUNG MUSS GRÖSSTMÖGLICHE SORGFALT AUSGEÜBT WERDEN UM DIE GEFAHR VON VERLETZUNGEN ZU VERMINDERN.
- EINE ÜBERBELASTUNG DER SLACKLINE MIT MEHR ALS 220 PFUND/100 KG UND/ODER ÜBERBELASTUNG DURCH MEHR ALS EINE PERSON VERGRÖßERT DIE SPANNUNG UND KANN DIE SLACKLINE BESCHÄDIGEN UND/ODER DIE FUNKTION DER RATSCHEN SO BEEINTRÄCHTIGEN, DASS DIE GEFAHR VON VERLETZUNGEN ENTSTEHT.

Befolgen Sie die lokalen Gesetze bezüglich der Verwendung von Slacklines.

In einigen Städten und Staaten ist die Benutzung von Slacklines auf öffentlichen Flächen eingeschränkt oder verboten. Vielleicht sehen Sie im Fernsehen, im Internet oder in sonstigen Medien Menschen, die Kunststücke auf der Sackline ausüben. Diese Menschen sind in der Regel Profis, die lange dafür trainiert haben, die hoch qualifiziert sind und die sich der Gefahr durch Verletzung und/oder Todes bewusst sind und diese akzeptieren. VERSUCHEN SIE NICHT, DIESE KUNSTSTÜCKE NACHZUAHMEN ODER SONSTIGE TRICKS AUF DER SLACKLINE AUSZUFÜHREN; ES SEI DENN; SIE SIND SICH BEWUSST; DASS DARAUS VERLETZUNGEN RESULTIEREN KÖNNEN UND AKZEPTIEREN DIESE TATSACHE.

DER HERSTELLER UND DIE WIEDERVERKÄUFER DIESER SLACKLINE LEHNEN JEGLICHE VERANTWORTUNG UND VERBINDLICHKEITEN FÜR JEDEN TOD, LÄHMUNG, VERLETZUNG, UND/ODER SONSTIGE SCHÄDEN JEDER PERSON ODER EIGENTUMS AB, DER DURCH DEN GEBRAUCH DIESES PRODUKTES ENTSTANDEN IST.

1.5 GARANTIE:

WIR ÜBERNEHMEN FÜR DIESES GERÄT EINE GARANTIE VON 2 JAHREN AB KAUFDATUM. INNERHALB DIESER GARANTIEZEIT BESEITIGEN WIR NACH UNSERER WAHL DURCH REPARATUR ODER AUSTAUSCH DES GERÄTS ALLE MÄNGEL, DIE AUF MATERIAL ODER HERSTELLUNGSFEHLERN BERUHEN. VON DER GARANTIE AUSGENOMMEN SIND ALLE SCHÄDEN, DIE DURCH NORMALE ABNUTZUNG, MODIFIZIERUNGEN, FALSCHES LAGERUNG, SCHLECHTE WARTUNG, UNFÄLLE, NACHLÄSSIGKEIT ODER UNSACHGEMÄßEM GEBRAUCH (SIEHE HANDBUCH) ENTSTEHEN. EIN GARANTIEANSPRUCH KANN NUR MIT EINER RECHUNG GELTEND GEMACHT WERDEN. LAGERN SIE DIESES PRODUKT STETS TROCKEN. Anders als oben beschrieben machen der Hersteller, die Verkäufer, und die Wiederverkäufer dieses Produktes keine anderen Darstellungen und / oder Garantien, entweder Schnellzug oder einbezogen, bezüglich des Produktes, einschließlich uneingeschränkt, irgendwelche Garantien betreffs der Marktfähigkeit, Qualität, oder fitness zu einem besonderen Zweck. Der Hersteller, die Verkäufer, und die Wiederverkäufer sollen nicht in jedem Fall verantwortlich sein, was auch immer für spezielle, indirekte, folgenreiche oder beiläufige Schäden, ob basiert auf dem Vertragsbruch, der Verletzung der Gewährleistung, dem klagbaren delikt (einschließlich der Nachlässigkeit), Produkthaftung oder sonst, selbst wenn ihnen der Möglichkeit solcher Schäden empfohlen worden ist. Der Slackline Benutzer gibt zu, dass sein oder ihr volles Heilmittel gegen den Hersteller, die Verkäufer, und die Wiederverkäufer für jede Verbindlichkeit, Ansprüche, oder Schäden, auf den Kaufpreis der Slackline beschränkt werden, und unwiderruflich auf alle Ansprüche auf irgendwelche anderen Schäden verzichten soll, dass solcher Slackline Benutzer haben kann.

2. WEITERE WARNUNGEN:

ACHTUNG! Verwenden Sie zum Aufbau Ihrer Gibbon Slackline keine weiteren Teile oder Materialien, die nicht von Gibbon Slacklines zur Verfügung gestellt sind. DER GEBRAUCH DER RATSCHEN IST GEFÄHRLICH UND KANN ZU VERLETZUNG UND/ODER TOD FÜHREN. DIE RATSCHEN DARF VON MINDERJÄHRIGEN NICHT BETÄTIGT WERDEN. DIE BEDIENUNG DER RATSCHEN SOLLTE IMMER NUR DURCH ERWACHSENE GESCHEHEN UND ERST NACH AUSFÜHRLICHER ÜBERPRÜFUNG AUF EVENTUELLE SCHÄDEN MIT GRÖßTMÖGLICHER SORGFALT BEDIENET WERDEN. Die SLACKLINE DARF NICHT MEHR ALS ZWEIFEINHALB UMDREHUNGEN UM DIE ACHSE DER RATSCHEN gewickelt werden. (Siehe Paragraph 3.4 unten.)

Die Spannung auf dem Hebel der Ratsche darf 85 Pfund (ungefähr 378N/38,5kg) nicht überschreiten, um eine Beschädigung und/oder Fehlfunktion des Slackline Systems zu verhindern, die auf ernste Verletzung und/oder Tod hinauslaufen können. VERWENDEN SIE NIE IHRE BEINE ODER ANDERE KÖRPERTEILE SOWIE ZWECKENTFREMDETE GERÄTE AUßER IHREN HÄNDEN, UM DIE RATSCHEN ZU BEDIENEN.

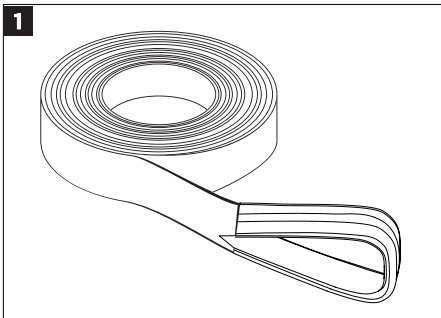
Die Slackline darf niemals zwischen Fahrzeugen (z.B. Autos oder Lastwagen) gespannt werden, weil die Spannung die Sicherheitsgrenze von 85 Pfunden (ungefähr 378N/38,5kg) leicht überschreiten kann. Die Slackline niemals höher als 18 Zoll (50 Cm) aufbauen.

Slacklining ist ein schöner Sport, aber die Ausübung sollte nur erfolgen, wenn man sich der Gefahr, einschließlich ernster Verletzungen und/oder Tod bewusst ist und diese nicht unterschätzt wird!

3. ZUSAMMENBAU:

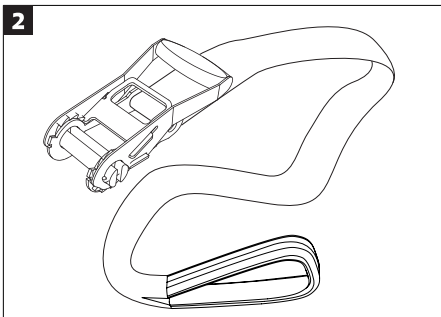
Alle Slacklines von Gibbon sind für einen schnellen Auf- und Abbau entworfen.

Folgen Sie einfach den Anweisungen in diesem Handbuch.



DAS BAND:

50mm Flexband mit gummierter Bedruckung (in diesem Handbuch auch als "Slackline" oder "Line" gekennzeichnet)



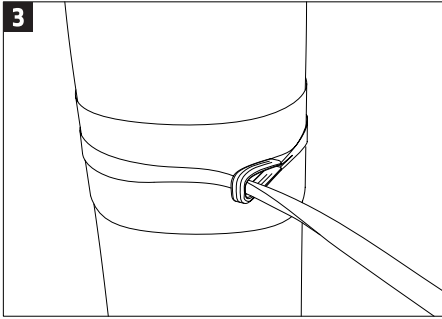
DIE RATSCHEN:

Befestigt an einem 2m langen, 50mm breiten Gibbon Flexband mit gummierter Bedruckung

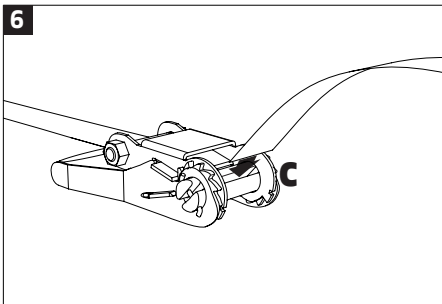
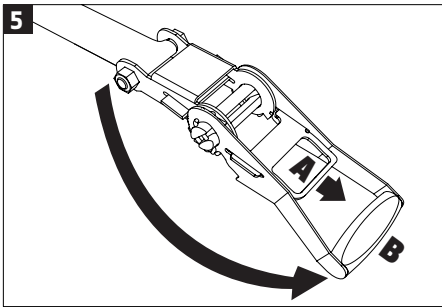
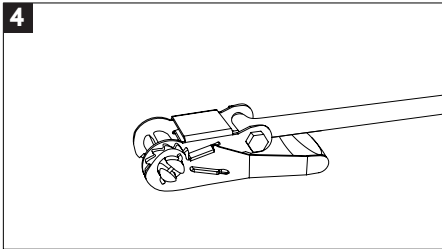
Abgesehen vom Baumschutz Treewear, der nicht im Lieferumfang enthalten ist (siehe Beschreibung oben (nur bei Treepro Sets), dürfen weder die Slackline noch die Ratsche mit anderen Teilen oder Materialien verwendet werden.

3.1 BEFESTIGUNG DER SLACKLINE:

Die Gibbon Slackline darf nur an Bäumen befestigt werden, die einen Mindestumfang von 1 Meter oder einen Durchmesser von 30 cm und einen maximalen Kreisumfang von 1,80 Meter haben. Bringen Sie die Slackline nicht an Bäumen oder anderen Fixpunkten an, die eine Zuglast von (10 kN/1000kg) nicht halten können. Verwenden Sie unbedingt Treewear um dem Baum und Ihrer Line zusätzlichen Schutz zu bieten!



zum Schutz von Baum und Line sollte Gibbon Treewear verwendet werden.



3.2 BEFESTIGUNG DES BANDES:

Suchen Sie für Ihre Slackline einen sicheren Platz mit zwei Bäumen oder anderen Befestigungspunkten wie im Paragraph 3.1 beschrieben. Dieser Platz sollte frei sein von jeglichen Gefahren, Hindernissen, Vorsprüngen, spitzen Gegenständen und Personen. Ziehen Sie das Band auf einer Höhe von max. 50 cm einmal flach um den Baumstamm und fädeln Sie dann das Ende des Bandes durch die Schlaufe. Ziehen Sie das Band solange durch die Schlaufe, bis sich eine Schlinge flach um den Baum gelegt hat. Um das Band nun horizontal auszurichten, falten Sie es in einer U-Form, genau dort, wo das Band durch die Schlaufe geht (siehe Foto).

3.3 BEFESTIGUNG DER RATSCHEN:

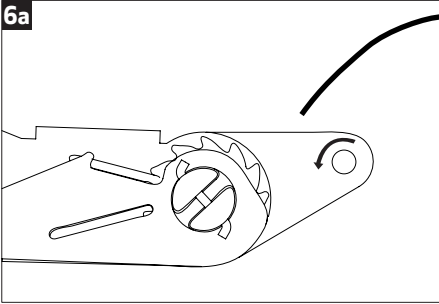
Legen Sie das Band mit der Ratsche genauso um den Baum wie schon das Band ohne Ratsche (im Paragraph 3.1 beschrieben, siehe auch Bild 3). Achten Sie auch hier auf etwaige Gefährdungen am Boden und auf eine gleiche Höhe (max. 50 cm). Fädeln Sie die Ratsche durch die Schlaufe am Ende des Bandes und ziehen Sie solange, bis sich eine Schlinge um den Baum legt. Das Band sollte dabei nicht verdreht sein und flach aufliegen.

Um das Band nun horizontal auszurichten, falten Sie das Band in U-Form, genau dort, wo das Band durch die Schlaufe geht (Bild 3). Um die Gefahr einer ersten Verletzung und/oder Tod zu reduzieren, installieren Sie die Ratsche mit dem Hebel Richtung Boden gewandt wie in Bild 4.

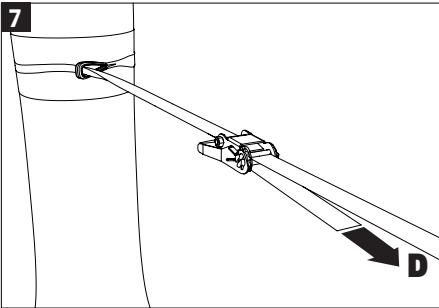
3.4 ZUSAMMENFÜHREN VON BAND UND RATSCHEN:

Entriegeln Sie die Ratsche durch Ziehen des kleinen Hebels auf der Innenseite der Ratsche (Siehe Punkt A in Bild 5) und öffnen Sie den großen Haupthebel (Punkt B in Bild 5).

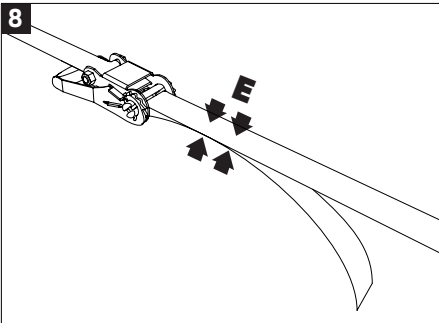
Fädeln Sie nun das Band durch den Schlitz in der Achse (Punkt C in Bild 6).

6a

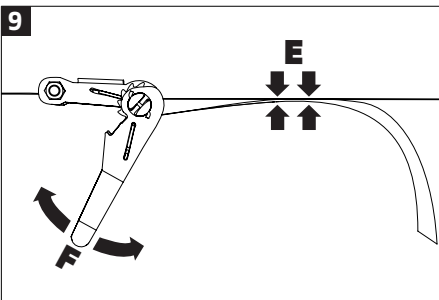
Zusätzliche Informationen zur Benutzung der Ratschen von Surfer Line und Andy Lewis Trickline: Bitte wie in Darstellung 6b illustriert die Slackline von oben in die auf dem Kopf liegende Ratsche einfädeln (Hebel zeigt nach unten).

7

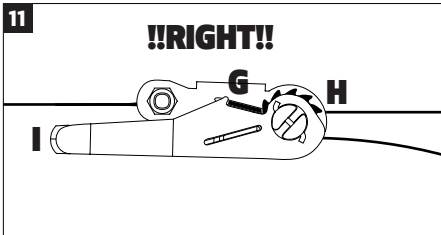
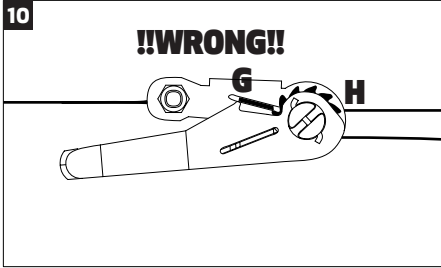
Ziehen Sie das Band per Hand solange durch die Ratsche, bis das Band gespannt bzw. nicht mehr locker durchhängt. (Punkt D in Bild 7).

8

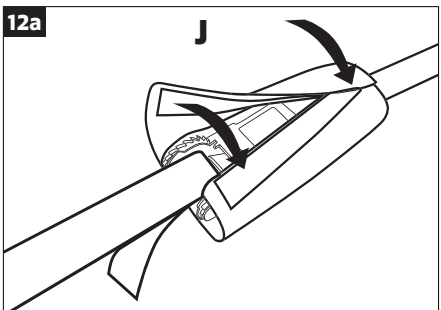
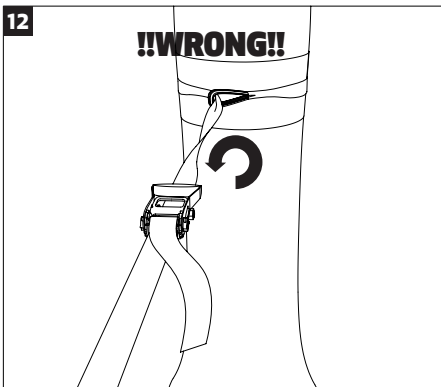
Nehmen Sie nun beide Seiten des Bandes (Punkt E in Bild 8 und 9) in eine Hand.

9

Halten Sie diese unter Zug gerade und übereinander zusammen, während Sie mit der anderen Hand am großen Hebel zu spannen beginnen (Punkt F in Bild 9).



Tipp: Der geschlossene Hebel (Punkt "I" im BILD 11) ist ein guter Hinweis, dass der Bolzen eingerastet und die Ratsche somit gesichert und geschlossen ist.



WICHTIG!

Die Slackline darf nicht mehr als zweieinhalb mal um die Achse der Ratsche gewickelt werden. Die Spannung auf dem Hebel der Ratsche darf 378N/38.5kg NIE überschreiten, um Beschädigung und/oder einen Defekt des Systems zu verhindern, das auf ernste Verletzungen und/oder Tod hinauslaufen kann.

Sobald das Band die gewünschte Spannung erreicht hat, überprüfen Sie bitte die Ratsche, um sicherzustellen, dass der Bolzen (Punkt "G" im Bild 10 & 11) ordentlich eingerastet ist (Punkt "H" im Bild 10 & 11) und bringen dann den Hebel zurück in die horizontale Position, parallel zum Band (Punkt "I" im Bild 11).
BENUTZEN SIE DIE SLACKLINE NICHT, WENN DIE RATSCHEN NICHT VÖLLIG EINGERASTET, GESICHERT UND GESCHLOSSEN IST (OFFEN: BILD 10; GESCHLOSSEN: BILD 11)!

Sie können die Spannung der Slackline nach Ihren persönlichen Vorlieben regulieren, solange die krafteinwirkung am Hebel 378N/38.5 Kg nicht überschreitet.

4. ABREIBUNG:

Schützen Sie das Band vor unnötiger Abreibung durch scharfe und raue Kanten oder Oberflächen Ihrer Befestigungspunkte. Untersuchen Sie Ihre Slackline vor und nach jedem Gebrauch auf Abreibung.

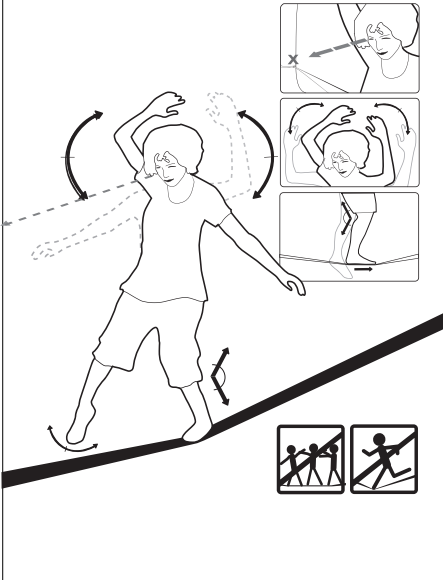
Sollten Sie Schwachstellen entdecken, stellen Sie die Verwendung der Slackline ein. Drehen Sie das Band niemals, es beschleunigt die Abreibung des Bandes (Siehe Bild 12 unten.) und kann zu Verletzungen führen.

4.1 ANBRINGUNG VOM RATSCHENSCHUTZ:

(nicht in Surfer Line X13 sets beigelegt!)

Sobald das Band korrekt aufgespannt ist und der Ratschenhebel geschlossen ist, wickeln sie den beigelegten Ratschenschutz um die Ratsche und verschließen diese mit den Druckknöpfen und Klettverschluss.

13

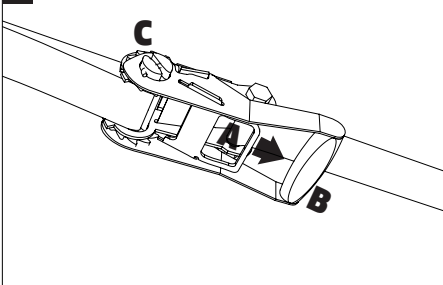


5. AUF DER SLACKLINE LAUFEN:

Üben Sie am Anfang das Stehen auf einem Bein. Dabei sind die Knie leicht angewinkelt, der Rücken gerade, der Blick geradeaus (z.B. auf den Ankerpunkt), die Arme in der Höhe. Sobald Sie sich in dieser Position sicher fühlen, können Sie langsam den ersten Schritt machen. Die Warteposition zum Ausbalancieren sollte wieder auf einem Bein geschehen.

WICHTIG: Nie mehr als eine Person auf der Slackline. Vermeiden Sie schnelles Laufen oder Rennen auf der Slackline.

14



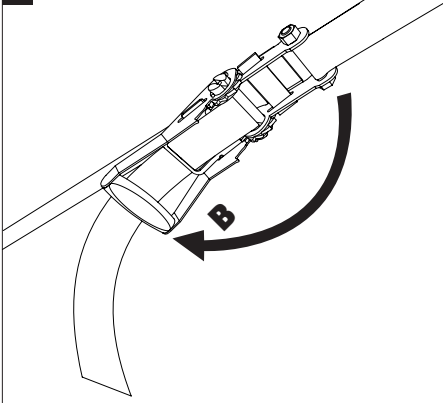
6. DER ABBAU DER SLACKLINE:

Um die Ratsche zu öffnen, ziehen Sie erst den Sicherheitshebel (Punkt "A" im Bild 14), um dann den Haupthebel öffnen zu können (Punkt "B" im Bild 14). Öffnen Sie den Haupthebel soweit es geht und drücken Sie diesen dann mit Kraft nach unten bzw. Richtung Band, bis sich der Sicherheitshebel vom Räderwerk löst (Punkt "C" im Bild 14) und das Band (Bild 15) freigegeben wird.

Achtung: die Slackline befindet sich unter großer Spannung. Ein unsachgemäßes Öffnen der Ratsche kann Verletzungen und/oder Tod zur Folge haben!

Sobald das Band vollständig gelöst wurde sollte es in jedem Fall auf Abreibungen und sonstige Schäden untersucht werden. Stellen Sie außerdem sicher, dass das Band sauber und trocken ist. Falls alles in Ordnung ist, das Band ordentlich aufwickelt und in die Lagerungstasche legen.

15



FINDEN SIE MEHR INFORMATIONEN UNTER:

Deutschland /Österreich/Schweiz:
www.gibbon-slacklines.com/de

International:
www.gibbon-slacklines.com



EL MANUAL **SLACKLINE SET**

ENGLISH
DEUTSCH
ESPAÑOL
FRANÇAIS
PORTUGUÊS

Este manual contiene información importante en cuanto a seguridad. antes de utilizar la cinta de equilibrio lea cuidadosamente este manual y cerciórese de que comprende y conviene a todas las advertencias, precauciones, instrucciones y recomendaciones de seguridad. Revise periódicamente la información contenida en este manual e inspeccione regularmente su cinta de equilibrio por indicios de deterioro. No utilice la cinta de equilibrio a menos que acepte todos los riesgos de lesión y/o muerte que pudieran resultar a consecuencia de su uso.

1. ¡ADVERTENCIA! LA CINTA DE EQUILIBRIO ES UNA PIEZA DE EQUIPO PELIGROSA INCLUSO UTILIZÁN-DOLA CORRECTAMENTE:

LOS PADRES DE LOS MENORES Y LOS MENORES: Los menores no deben utilizar la cinta de equilibrio a menos que estén bajo la supervisión constante de un adulto competente. Asegúrese de que la cinta de equilibrio se instala únicamente en áreas a las cuales los menores no pueden acceder sin dicha supervisión por un adulto. Los menores nunca deben utilizar el tensor ni ajustar la tensión de la cinta de equilibrio en cualquier momento.

La cinta de equilibrio fue desarrollada únicamente para que un adulto mejore su equilibrio caminando lentamente a lo largo de la cinta de equilibrio sobre un área de aterrizaje plano, regular y suave sin ningún tipo de obstáculo, gente, salientes o peligros en las proximidades. La cinta de equilibrio debe utilizarse únicamente en la forma descrita en este Manual. EL USO DE UNA CINTA DE EQUILIBRIO PUEDE SER UNA ACTIVIDAD PELIGROSA QUE PODRÍA CONLLEVAR A UNA LESIÓN GRAVE Y/O LA MUERTE INCLUSO AL UTILIZARLA CORRECTAMENTE. UTILICE A SU PROPIO RIESGO Y APLIQUE SIEMPRE SENTIDO COMÚN.

Asegúrese de que la cinta de equilibrio se fije sólo a anclajes tales como los que se describen en las secciones 3.1 y 3.2 a continuación. NO sujete la cinta de equilibrio a cualquier punto de anclaje que sea demasiado débil para anclar seguramente y utilice la cinta de equilibrio ni sujete la cinta a cualquier punto de anclaje que no sea fijo. Por ejemplo, NO sujete la cinta de equilibrio a uno o mas automóviles.

Asegúrese que el piso y el área de aterrizaje sobre el cual está suspendida la cinta de equilibrio sea plano, regular y suave. ¡Usted caerá sobre él! NO coloque la cinta de equilibrio a una altura superior a 50 centímetros. Asegúrese de que no hay obstáculos, peligros, personas o salientes cerca de la cinta de equilibrio que pudieran lastimarlo en caso de caída. Utilice la cinta de equilibrio únicamente en lugares donde no existan riesgos y/o peligros.

Utilice siempre zapatos de deporte fuertes, bien amarrados y con suelas de goma lisas.

- NO camine sobre la cinta de equilibrio descalzo o con sandalias o con calzado con suelas deformadas.
- Mantenga a los espectadores a 3 metros por lo menos de la cinta de equilibrio.
- No utilice nunca la cinta de equilibrio al atardecer o de noche o en ambientes mojados o con hielo.
- NO permita que más de una persona utilice la cinta de equilibrio al mismo tiempo.
- NO supere los 100 kg de peso sobre la cinta de equilibrio en cualquier momento.
- ESTA CINTA DE EQUILIBRIO NO TIENE POR OBJETO HACER CUALQUIER TIPO DE ACROBACIA, INCLUYENDO, SIN LIMITARSE A, SALTAR, VOLTEARSE, ETC. EL RIESGO DE LESIÓN Y/O MUERTE AUMENTA SIGNIFICATIVAMENTE CUANDO SE INTENTAN O HACEN ACROBACIAS.

Esta cinta de equilibrio es susceptible a dañarse. LA CINTA DE EQUILIBRIO DEBE MANTENERSE ADECUADAMENTE E INSPECCIONARSE ANTES DE CADA USO. LA FALTA DE INSPECCIONAR Y MANTENER LA CINTA DE EQUILIBRIO ANTES DE CADA USO PODRÍA CONLLEVAR A LESIÓN Y/O MUERTE. EL USO DE CUALESQUIERA PARTES NO PROPORCIONADAS POR EL FABRICANTE NO SE RECOMIENDA Y PODRÍA DAÑAR LA CINTA DE EQUILIBRIO, TENER UN IMPACTO SOBRE EL RENDIMIENTO, ACORTAR LA VIDA ÚTIL DEL PRODUCTO Y CAUSAR LESIÓN Y/O MUERTE.

1.1 VIDA ÚTIL

El desgaste natural no está cubierto por la garantía:

En su uso la slackline está sometida a tensiones permanentes dinámicas. Por lo tanto, la protección del anillo no se considera para el reembolso en la garantía. Así mismo, el desgaste del estampado de la slackline está excluido de la garantía. El desgaste de la slackline que es causada por un uso inadecuado, como cuando se empaqueta la slackline sin prestar atención a los bordes afilados, no puede incluirse en la garantía. La slackline es un producto deportivo y su uso está naturalmente sujetos a desgaste.

1.2 INSTRUCCIONES DE LAVADO Y MANUTENCIÓN

Se recomienda de limpiar la carraca y cerrarla con un lubricante de máquina standard para una manutención ideal. Aclarar la slackline por entero con agua dulce después del utilizo en agua salada. Antes de usar la Slackline controlar que no haya ningún daño. Lavar con agua a temperatura tibia.

1.3 NORMAS ADICIONALES DE SEGURIDAD:

El sistema Slackline sólo puede ser tensado a mano y por una sola persona. Los anclajes seleccionados no pueden tener las esquinas afiladas o estar en condiciones de dañar potencialmente la slackline. Sólo puede ser instalada sobre suelo con protección debajo. ¿Es que nunca se tensan con otros medios (como un coche) que el equipo ha suministrado dentro de la unidad. Por favor, no deje la slackline sin supervisión cuándo al momento de desmontarla. Los niños pequeños pueden enredarse en la slackline. No se puede modificar la slackline en longitud mediante el uso de nudos.

1.4 LA FALTA DE:

- UTILIZAR SENTIDO COMÚN,
- UTILIZAR LA CINTA DE EQUILIBRIO EN LA FORMA RECOMENDADA EN ESTE MANUAL, Y/O
- ACATAR LAS ADVERTENCIAS E INSTRUCCIONES CONTENIDAS EN ESTE MANUAL
- INCREMENTAN SIGNIFICATIVAMENTE EL RIESGO DE LESIÓN GRAVE Y/O MUERTE.
- CUANDO ESTÁ ENSAMBLADA, LA CINTA DE EQUILIBRIO SE ENCUENTRA BAJO UNA TENSIÓN SIGNIFICATIVA QUE PODRÍA IGUALAR O EXCEDER LOS 7 kN/700 kg. DEBIDO A LA ALTA TENSIÓN DE LA CINTA DE EQUILIBRIO, DEBE PONERSE MUCHO CUIDADO AL UTILIZAR UNA CINTA DE EQUILIBRIO PARA MINIMIZAR EL RIESGO DE LESIÓN Y/O MUERTE. SOBRECARGAR LA CINTA DE EQUILIBRIO CON MÁS DE 100 kg Y/O MÁS DE UNA PERSONA AUMENTA LA TENSIÓN Y PODRÍA CONLLEVAR A QUE LA CINTA DE EQUILIBRIO O EL TENSOR FALLEN OCASIONANDO UNA LESIÓN Y/O LA MUERTE.

Consulte las leyes locales con respecto a cintas de equilibrio para verificar dónde y cómo puede Ud. legalmente utilizar la cinta de equilibrio. En algunas ciudades y estados el uso de cintas de equilibrio en áreas públicas es ilegal, está restringido o prohibido.

Es posible que usted vea en televisión o en Internet a personas haciendo trucos o acrobacias sobre una cinta de equilibrio. Éstas son personas que han estado practicando durante mucho tiempo, que tienen una gran habilidad y quienes aceptan el riesgo de cualquier tipo de lesión y/o muerte. NO INTENTE REALIZAR CUALQUIER TIPO DE ACROBACIA SOBRE ESTA CINTA DE EQUILIBRIO A MENOS QUE ACEPTE TODO RIESGO DE LESIÓN Y/O MUERTE. EL FABRICANTE Y LOS REVENDADORES DE ESTA CINTA DE EQUILIBRIO EXPLÍCITAMENTE RENUNCIAN A TODA Y CUALQUIER RESPONSABILIDAD U OBLIGACIÓN POR CUALQUIER MUERTE, PARÁLISIS, LESIÓN Y/O PERJUICIO A CUALQUIER PERSONA O PROPIEDAD QUE PUDIERA OCURRIR QUE SURJA A CONSECUENCIA DE O ESTÉ DE FORMA ALGUNA RELACIONADO CON EL USO DE ESTE PRODUCTO.

1.5 GARANTÍA:

Este producto está garantizado contra cualquier defecto de material o de fabricación por un período de dos (2) años a partir de su fecha de compra según figure en un recibo válido. ESTA GARANTÍA NO ABARCA O INCLUYE CUALQUIER DAÑO O DEFECTO CAUSADO POR: USO Y DESGASTE NORMAL, MODIFICACIONES O ALTERACIONES, ALMACENAJE INCORRECTO, MANTENIMIENTO DEFICIENTE Y/O DAÑOS DEBIDOS A ACCIDENTES, NEGLIGENCIA O USO INAPROPIADO (INCLUYENDO, SIN LIMITARSE A, CUALQUIER USO NO EXPLÍCITAMENTE APROBADO EN ESTE MANUAL). Asegúrese de secar muy bien la cinta de equilibrio antes de almacenarla. A excepción de lo antes descrito, EL FABRICANTE, LOS VENDEDORES Y REVENDADORES DE ESTE PRODUCTO NO OFRECEN NINGUNAS OTRAS DECLARACIONES Y/O GARANTÍAS, BIEN SEA EXPRESAS O IMPLÍCITAS, CON RESPECTO AL PRODUCTO, INCLUYENDO, SIN LIMITARSE A, CUALESQUIERA GARANTÍAS EN CUANTO A COMERCIABILIDAD, CALIDAD O ADECUACIDAD PARA CUALQUIER PROPÓSITO ESPECÍFICO. EL FABRICANTE, LOS VENDEDORES Y LOS REVENDADORES NO SERÁN DE FORMA ALGUNA RESPONSABLES POR DAÑOS Y PERJUICIOS INDIRECTOS, EMERGENTES O INCIDENTALES, BASADOS BIEN SEA SOBRE UN INCUMPLIMIENTO DE CONTRATO, INCUMPLIMIENTO DE GARANTÍA, AGRAVIO (INCLUYENDO NEGLIGENCIA), RESPONSABILIDAD DEL PRODUCTO O DE OTRA FORMA, INCLUSIVE SI HAN SIDO NOTIFICADOS EN CUANTO A LA POSIBILIDAD DE TALES DAÑOS Y PERJUICIOS. EL USUARIO DE LA CINTA DE EQUILIBRIO CONVIENE QUE SU ÚNICO RECURSO CONTRA EL FABRICANTE, LOS VENDEDORES Y LOS REVENDADORES POR CUALQUIER RESPONSABILIDAD, RECLAMOS O DAÑOS Y PERJUICIOS SE LIMITARÁ AL PRECIO DE COMPRA DE LA CINTA DE EQUILIBRIO Y RENUNCIA IRREVOCABLEMENTE A TODO TIPO DE RECLAMO POR CUALESQUIERA OTROS DAÑOS Y PERJUICIOS QUE DICHO USUARIO DE LA CINTA DE EQUILIBRIO PUDIERA INVOCAR.

2. ADVERTENCIAS ADICIONALES:

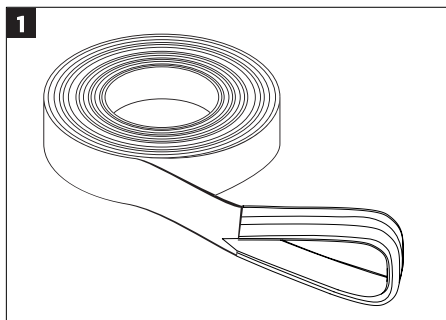
¡ATENCIÓN! No utilice cualesquiera otras partes o materiales para instalar la cinta de equilibrio o en relación con el uso de la cinta de equilibrio a excepción de las partes y materiales suministrados por Gibbon Slacklines.

EL USO DEL TENSOR ES PELIGROSO Y PUEDE CONLLEVAR A LESIÓN Y/O MUERTE. EL TENSOR NUNCA DEBE SER UTILIZADO POR MENORES Y DEBE SER UTILIZADO POR ADULTOS CON SUMO CUIDADO Y PRECAUCIÓN. LA BANDA DE LA CINTA DE EQUILIBRIO NO DEBE EXCEDER DOS Y MEDIA ROTACIONES ALREDEDOR DEL EJE DEL TENSOR. (Véase la sub-sección 3.4 a continuación.) La tensión sobre la palanca del tensor no debe exceder 400N/40 kg para impedir un fallo del sistema de la cinta de equilibrio conllevando a lesión grave y/o muerte. NO UTILICE NUNCA SUS PIERNAS O CUALQUIER DISPOSITIVO O PARTE DEL CUERPO APARTE DE SUS MANOS PARA OPERAR EL TENSOR.

Esta cinta de equilibrio no debe fijarse o ensamblarse en vehículos (a saber, automóviles o camiones) por diversos motivos, incluyendo porque la tensión puede fácilmente sobrepasar el límite de seguridad de aproximadamente 400N/40kg. Esta cinta de equilibrio no debe ensamblarse o utilizarse a cualquier altura superior a los 50 cm. La práctica del balanceo sobre una cinta de equilibrio es un deporte maravilloso, pero sus peligros, incluyendo lesión grave y/o muerte, son significativos y ¡no deben desestimarse!

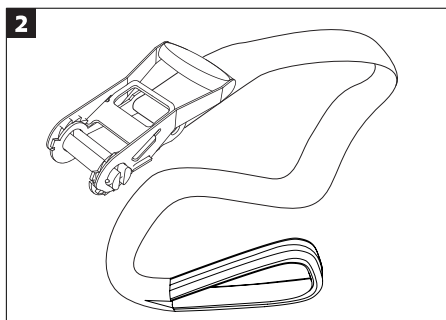
3. ENSAMBLAJE:

La cinta de equilibrio Gibbon está diseñada para ser rápida y fácilmente ensamblada si usted sigue las instrucciones contenidas en este Manual. La cinta de equilibrio consiste de tan solo dos componentes:



LA BANDA:

50 cm de ancho de banda flexible Gibbon revestida (también mencionada como la "slackline" [cinta de Imagen 1 equilibrio] o "line" [línea] en este Manual)



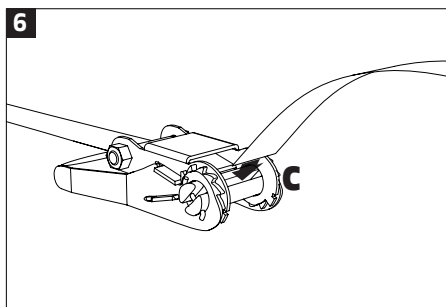
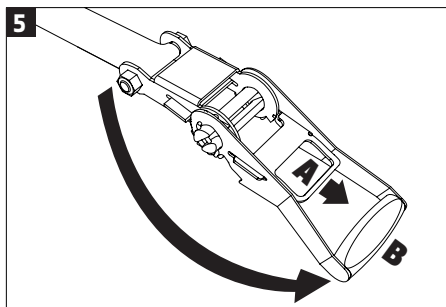
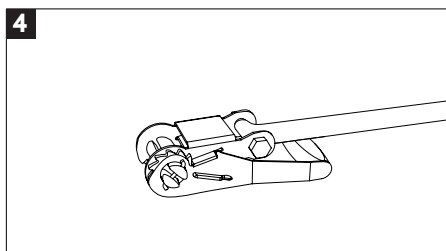
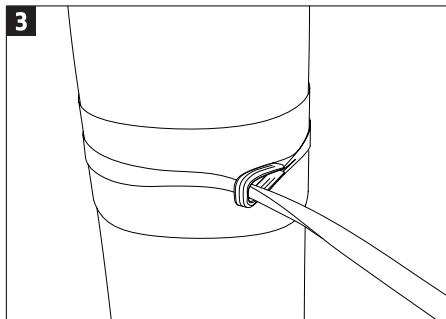
EL TENSOR:

Fijado a una banda flexible Gibbon revestida de 2 m de Imagen 2 largo y 50 mm de ancho. A excepción de la protección del árbol que se describe a continuación y que no está incluida,

¡NO UTILICE NINGÚN OTRO COMPONENTE, PIEZA O MATERIALES CON ESTE JUEGO DE CINTA DE EQUILIBRIO SALVO LA BANDA Y EL TENSOR ANTES DESCRITOS!

3.1 ANCLADO DE LA CINTA DE EQUILIBRIO:

La Cinta de Equilibrio Gibbon sólo debe sujetarse a árboles con una circunferencia mínima de 1 m o un diámetro de 30 cm y una circunferencia máxima de 1,8 m. NO SUJETE LA CINTA DE EQUILIBRIO A CUALQUIER ÁRBOL QUE NO PUEDA SOPORTAR UNA FUERZA MÍNIMA DE 10 kN/1000kg. Utilice una alfombra o una esterilla de goma suave para proteger a los árboles de cualquier daño innecesario causado por la cinta de equilibrio.



3.2 ANCLAJE DE LA BANDA:

Ubique un lugar adecuado y seguro con dos árboles según se describe en la sub-sección 3.1. precedente donde no existan riesgos, obstáculos, salientes u otros peligros en las proximidades. Coloque la banda plana alrededor del tronco del árbol a una altura aproximada de 50 cm. Introduzca la banda a través del asa para formar un lazo corredizo alrededor del tronco del árbol.

A fin de alinear horizontalmente la banda, doble la banda en forma de U en el lugar donde pasa a través del lazo al final de la cinta como se ilustra en la foto.

3.3 ANCLAJE DEL TENSOR:

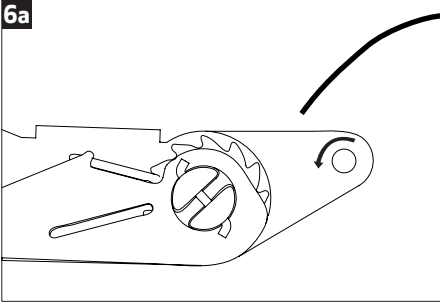
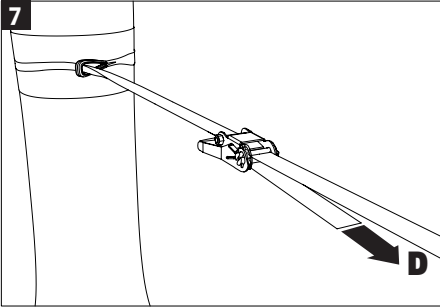
Al igual que en el caso de la banda, ubique un lugar adecuado y seguro con dos árboles según se describe en la sub-sección 3.1 (Imagen 3) precedente donde no existan riesgos, obstáculos, salientes u otros peligros en las proximidades. Enrolle la banda sujeta al tensor de modo que esté lisa sobre el tronco del otro árbol a una altura de aproximadamente 50 cm (Imagen 5). Deslice el tensor a través de la cinta para formar un lazo corredizo alrededor del tronco del árbol.

Para alinear horizontalmente la banda, doble la banda en forma de U en el lugar donde se desliza a través del extremo con el lazo de la cinta según se ilustra en la Imagen 3.

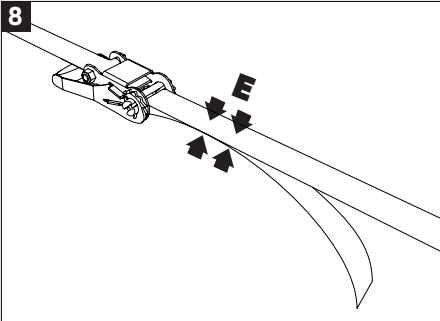
Para reducir el riesgo de lesión grave y/o muerte, instale el tensor con la palanca apuntando hacia abajo según se ilustra en la Imagen 4.

3.4 CONEXIÓN DE LA BANDA AL TENSOR:

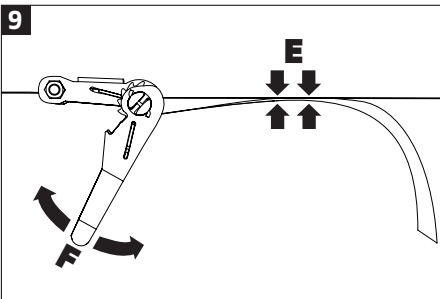
Suelte el tensor (hale de la palanca pequeña dentro del tensor marcada "A" en la Imagen 5) y abra la palanca principal ("B" en la imagen 5). Deslice la banda a través de la ranura en el eje ("C" en la Imagen 6).

6a**7**

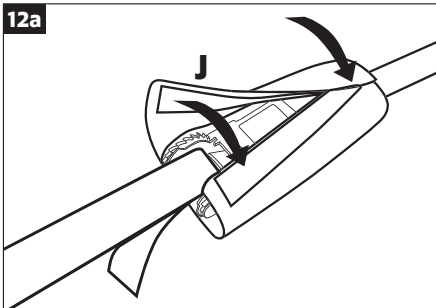
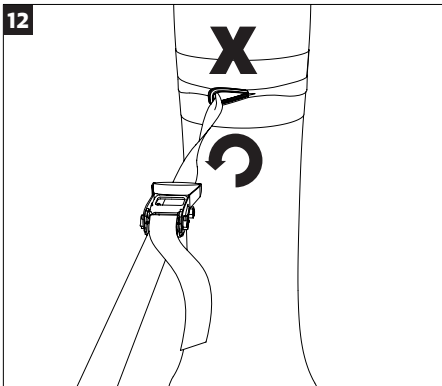
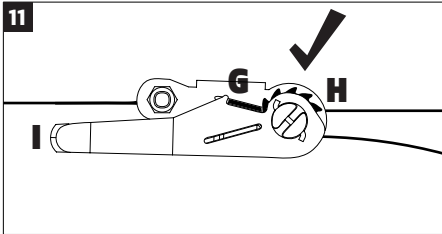
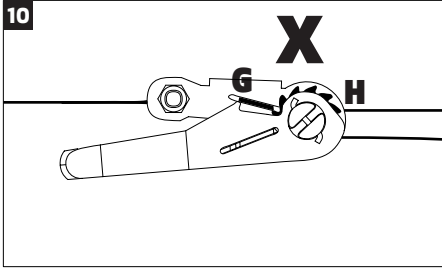
Hale la banda a través del eje hasta que la banda esté tensa (a saber, la banda no está floja) ("D" en la Imagen 7)

8

Una vez que la banda esté tensa a través del eje, utilice una mano para sujetar ambos lados de la banda juntos ("E" en las Imágenes 8 y 9).

9

Comience a ajustar el tensor ("F" en la Imagen 9)



¡IMPORTANTE! La cinta de equilibrio no debe exceder dos rotaciones y media alrededor del eje del tensor.

La tensión sobre la palanca del tensor NUNCA debe exceder aproximadamente 400N/40kg para impedir un fallo del sistema que podría conllevar a una lesión grave y/o la muerte.

En cuanto la banda alcance la tensión deseada, chequee el tensor para asegurarse de que el perno ("G" en las Imágenes 10 y 11) está debidamente colocado en el diente ("H" en las Imágenes 10 y 11) y mueva la palanca nuevamente a una posición horizontal paralela con la banda ("I" en la Imagen 11).

¡NO UTILICE LA CINTA DE EQUILIBRIO SI EL TENSOR NO ESTÁ TOTALMENTE ASEGURADO Y TRABADO (DESTRABADO: Imagen 10; TRABADO; Imagen 11)!

Dato: La palanca cerrada ("I" en la Imagen 11) es un buen indicador de que el perno está colocado en el diente y de que el tensor está asegurado y trabado.

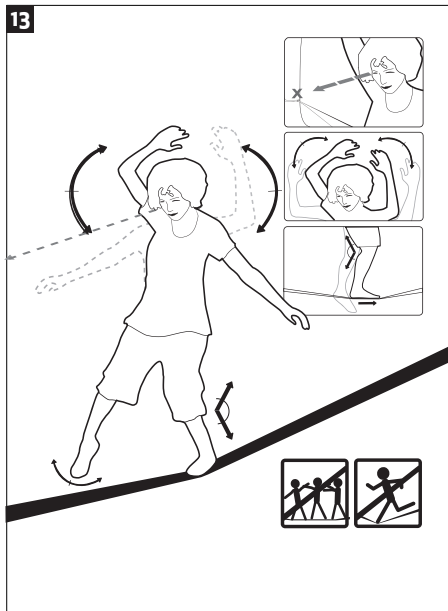
Puede ajustar la tensión de la banda según sus preferencias personales, siempre y cuando la tensión no supere los 400N/40 kg.

4. ABRASIÓN:

Proteja la banda contra una abrasión innecesaria, bordes cortantes y cualquier tipo de lugares ásperos. Inspeccione la Cinta de Equilibrio antes y después de cada uso y, en caso de descubrir abrasión, descontinúe el uso de la Cinta de Equilibrio.

Nunca tuerza la banda. (Véase la Imagen 12 abajo). Torcer la banda hace que el tensor se deslice hasta la parte superior de la banda y puede usted lesionarse más fácilmente. La torsión acelera asimismo la abrasión de la banda.

13

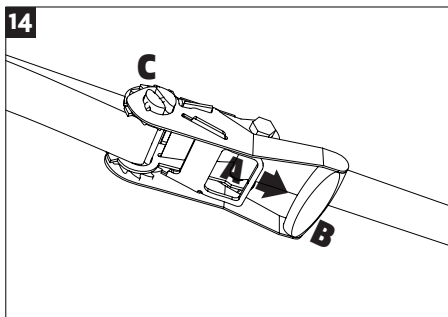


5. CAMINANDO SOBRE LA CINTA DE EQUILIBRIO:

Datos: Mire hacia el punto de anclaje de la banda delante de usted para lograr un equilibrio. Mueva sus brazos para corregir la falta de equilibrio. Mantenga sus rodillas dobladas.

¡IMPORTANTE: Por motivos de seguridad, nunca debe haber más de una persona sobre la cinta de equilibrio. ¡NUNCA CORRA sobre la cinta de equilibrio!

14



6. DESMONTADO DE LA CINTA DE EQUILIBRIO:

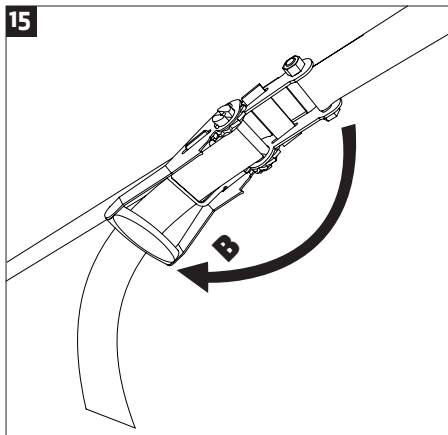
Para soltar el tensor, hale de la palanca de seguridad ("A" en la Imagen 14) para desenganchar el tensor y abrir la palanca principal ("B" en la Imagen 14) hasta que la palanca de seguridad se suelte de la rueda dentada ("C" en la Imagen 14) y la banda quede liberada (Imagen 15).

¡IMPORTANTE! La banda está bajo tensión y de no ser cuidadosamente desmontada podría conllevar a una lesión y/o la muerte.

Una vez que la banda quede suelta, desenganche la banda del tensor, inspeccione la banda por signos de abrasión y daño, asegúrese de que la

banda está limpia y seca, y enrolle la banda y colóquela en su bolsa de almacenaje.

15



España:
www.gibbon-slacklines.com/esp

International:
www.gibbon-slacklines.com



MODE D'EMPLOI

SLACKLINE SET

ENGLISH

DEUTSCH

ESPAÑOL

FRANÇAIS

PORTUGUÊS

Ce manuel d'utilisation contient d'importantes informations sur la sécurité du produit. Avant d'utiliser la slackline, lisez attentivement ce manuel et veillez à bien comprendre et à appliquer toutes les instructions, précautions et mesures de sécurité. Pensez à relire de temps à autre ce manuel et contrôlez régulièrement votre slackline afin d'y détecter tout signe d'usure ou de détérioration. N'utilisez pas la slackline si vous n'acceptez pas les risques de blessures ou de mort pouvant résulter de l'utilisation de ce produit.

1. ATTENTION !

MÊME LORS D'UNE UTILISATION ADEQUATE, LA SLACKLINE PEUT S'AVERER DANGEREUSE.

PARENTS D'ENFANTS MINEURS ET MINEURS : Les personnes mineures ne doivent pas utiliser la slackline sans la surveillance d'un adulte compétent. Veillez à ce que la slackline soit installée uniquement dans un endroit supervisé par un adulte responsable. Une personne mineure ne doit en aucun cas utiliser le tendeur à cliquet ou tendre la slackline.

Veillez à ce que la slackline soit uniquement attachée à des points d'ancrage solides, comme décrit ci-dessous dans les sections 3.1 et 3.2. Ne PAS attacher la slackline à des points d'ancrage insuffisamment solides qui ne permettraient pas l'utilisation du produit. Par exemple, n'attachez jamais la slackline entre deux voitures. www.gibbonslacklines.com, www.gibbon-slacklines.com/fr (France) contient des informations supplémentaires.

Veillez à ce que la zone sur laquelle vous atterrissez et au-dessus de laquelle vous attachez la slackline soit plate, régulière et molle. Vous pourriez tomber sur cette surface!

N'INSTALLEZ pas la slackline à une hauteur de plus de 18 pouces (50 centimètres).

Veillez à ce qu'il n'y ait ni obstacles, ni saillies ou personnes à proximité de la slackline qui puissent vous blesser si vous tombez. N'utilisez la slackline que dans des lieux sans dangers ni risques.

- Ne portez que des chaussures solides, bien nouées, munies de semelles plates et en caoutchouc.
- Ne marchez pas sur la slackline pieds nus, avec des sandales ou avec des chaussures munies de semelles à crampons.
- Tenez tout spectateur à au moins 3 mètres (9 pieds) de la slackline.
- N'utilisez jamais la slackline au crépuscule, la nuit ou par temps humide ou verglacé.
- N'autorisez pas que plus d'une personne utilise la slackline en même temps.
- Le poids sur la slackline ne doit jamais dépasser 220 pounds (100 kg).

CETTE SLACKLINE N'EST DESTINÉE À L'EXÉCUTION DE FIGURES, TELLES QUE LES SAUTS, SAUTS PÉRILLEUX... LES RISQUES DE BLESSURES OU DE MORT AUGMENTENT CONSIDÉRABLEMENT LORSQUE VOUS TENTEZ OU EXÉCUTEZ DE TELLES FIGURES.

Cette slackline n'est pas infailible et peut être sujette à des détériorations. LA SLACKLINE DOIT ÊTRE CORRECTEMENT ENTRETENUE ET CONTRÔLÉE AVANT CHAQUE UTILISATION. NÉGLIGER D'INSPECTER LA SLACKLINE AVANT TOUTE UTILISATION PEUT PROVOQUER DES BLESSURES ET LA MORT DE SES USAGERS. L'utilisation de composants non fournies par le fabricant n'est pas recommandée et est susceptible d'endommager la slackline, d'en diminuer la performance, de réduire la durée de vie du produit et peut provoquer blessures et/ou être mortelle.

1.1 DURÉE DE VIE

Les pièces ne sont pas garanties contre l'usure naturelle.

1.2 MANUEL DE NETTOYAGE ET DE MAINTENANCE

Pour une utilisation optimale, il est recommandé de nettoyer le cliquet et de le sceller en appliquant un lubrifiant standard. Veuillez rincer l'intégralité de la slackline à l'eau claire après une utilisation dans l'eau salée. Veuillez vérifier l'état de chaque pièce avant toute utilisation. Veuillez rincer uniquement à l'eau claire tiède.

NE PAS :

- FAIRE PREUVE DE BON SENS,
- UTILISER LA SLACKLINE DE LA FAÇON RECOMMANDÉE DANS CE MANUEL ET/OU
- TENIR COMPTE DES AVERTISSEMENTS ET DES INSTRUCTIONS CONTENUES DANS CE MANUEL - ACCROÎT DE FAÇON SIGNIFICATIVE LES RISQUES DE BLESSURES GRAVES OU DE MORT.

Lorsqu'elle est assemblée, la slackline est sous une tension élevée, qui peut être égale ou supérieure à 1500 lbs (7 kN/700 kg). À cause de cette FORTE tension, l'utilisation de la slackline doit s'accompagner d'une grande attention afin de diminuer les risques de blessures et/ou de mort. Si la slackline supporte un poids supérieur à 220 POUNDS (100 kg) ou si plus d'une personne utilise la slackline en même temps, la tension augmente, ce qui peut provoquer le non-fonctionnement du tendeur à cliquet, et par là-même causer des blessures et s'avérer mortel.

Pensez à vérifier les lois locales réglementant l'utilisation de la slackline pour savoir où et comment vous avez le droit d'utiliser la slackline. Dans certaines villes et certains états, faire de la slackline dans les lieux publics est illégal, restreint ou interdit. Vous pouvez voir, à la télévision ou sur des sites internet, des personnes exécutant sur la slackline toutes sortes de figures, parfois très périlleuses. Il s'agit de personnes qui se sont entraînées très longtemps, sont très douées et acceptent tout risque de blessures ou de mort. N'ESSAYER PAS D'EXÉCUTER CES FIGURES SUR LA SLACKLINE, À MOINS QUE VOUS N'ACCEPTIEZ TOUT RISQUE DE BLESSURES OU DE MORT.

LES FABRICANTS ET DÉTAILLANTS DE CETTE SLACKLINE DÉCLINENT TOUTE RESPONSABILITÉ EN CAS DE MORT, PARALYSIE, BLESSURE OU TORTS DE TOUTE PERSONNE OU PROPRIÉTÉ RÉSULTANT DE L'UTILISATION DE CE PRODUIT.

GARANTIE:

Ce produit est garanti contre tout défaut de fabrication sur une période de deux (2) ans à compter de la date d'achat figurant sur le ticket de caisse ou un reçu valide. CETTE GARANTIE NE COUVRE ET N'INCLUT PAS TOUTE DÉTÉRIORATION OU DÉFAUT RÉSULTANT DE: L'USURE NORMALE, MODIFICATIONS OU ALTERATIONS, STOCKAGE INCORRECT, ENTRETIEN NÉGLIGEANT, ET/OU DÉTÉRIORATIONS DUES À DES ACCIDENTS, À DE LA NÉGLIGENCE, OU UNE MAUVAISE UTILISATION (ENTRE AUTRES UNE UTILISATION NON EXPLICITEMENT ACCEPTÉE DANS CE MANUEL). Veuillez à sécher complètement la slackline avant de la ranger.

LA GARANTIE LIMITÉE DÉCRITE CI-DESSUS EST L'UNIQUE GARANTIE CONCÉDÉE PAR LE FABRICANT, LES VENDEURS ET LES REVENDEURS DE CE PRODUIT. AUCUNE AUTRE GARANTIE N'EST CONCÉDÉE QUANT AU PRODUIT, Y COMPRIS DES GARANTIES SANS RESTRICTION, QUANT À LA VALEUR COMMERCIALE, LA QUALITÉ, OU LA FORME PHYSIQUE À UNE FIN PARTICULIÈRE.

LE FABRICANT, LES VENDEURS ET LES REVENDEURS NE POURRONT PAS ÊTRE TENUS POUR RESPONSABLES EN CAS DE DOMMAGES ET INTÉRÊTS SPÉCIAUX, SECONDAIRES, CONSÉCUTIFS, OU FORTUITS, QU'ILS SOIENT FONDÉS SUR UNE RUPTURE DE CONTRAT, UNE RUPTURE DE GARANTIE, UN DÉLIT (Y COMPRIS LES NÉGLIGENCES), LA RESPONSABILITÉ DU FABRICANT ET AUTRES, MÊME S'ILS ONT ÉTÉ INFORMÉS DE LA POSSIBILITÉ DE TELS DOMMAGES ET INTÉRÊTS.

L'UTILISATEUR DE LA SLACKLINE RECONNAÎT QUE SON SEUL RECOURS CONTRE LE FABRICANT, LES VENDEURS ET LES REVENDEURS CONCERNANT TOUTE RESPONSABILITÉ, RÉCLAMATION, OU TOUTS DOMMAGES ET INTÉRÊTS, SERA LIMITÉ AU PRIX D'ACHAT DE LA SLACKLINE ET RENONCERA IRRÉVOQUEMENT À TOUTES LES RÉCLAMATIONS POUR TOUT AUTRES DOMMAGES ET INTÉRÊTS QU'UN TEL UTILISATEUR DE LA SLACKLINE PEUT AVOIR.

AUTRES MISES EN GARDE:

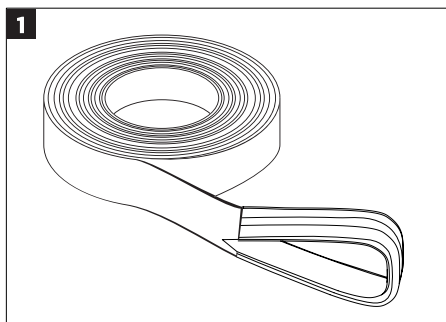
ATTENTION! N'utilisez aucunes composantes ni aucuns matériaux pour installer la slackline autres que les composantes et matériaux fournis par Gibbon Slacklines.

L'UTILISATION DU TENDEUR À CLIQUET EST DANGEREUSE ET PEUT CONDUIRE À DES BLESSURES OU À LA MORT. LE TENDEUR À CLIQUET NE DOIT JAMAIS ÊTRE UTILISÉ PAR DES PERSONNES MINEURES ET LES ADULTES DOIVENT L'UTILISER AVEC GRAND SOIN ET PRÉCAUTION. Il est important de ne pas donner à la sangle plus de deux tours et demi autour de l'axe du tendeur. (Voir paragraphe 3.4 ci-dessous.) La tension sur le levier du tendeur à cliquet ne doit pas excéder 85 pounds (approx. 378N/38.5kg) pour empêcher tout dysfonctionnement du système, pouvant provoquer des blessures graves et être mortel. N'UTILISER JAMAIS VOS JAMBES, QUEL QU'OBJET QUE CE SOIT OU D'AUTRES PARTIES DE VOTRE CORPS AFIN DE FAIRE FONCTIONNER LE TENDEUR À CLIQUET.

Cette slackline ne soit pas être attachée entre des véhicules (voitures, camions) pour différentes raisons, notamment car la tension peut facilement excéder la limite sécuritaire de 85 pounds (approx. 378N/38.5kg). Cette slackline ne doit pas être installée et utilisée à une hauteur supérieure à 18 pouces (50 cm). Le slackline est un magnifique sport, mais ses dangers (blessure graves et/ou mort) sont réels et ne doivent pas être sous-estimés.

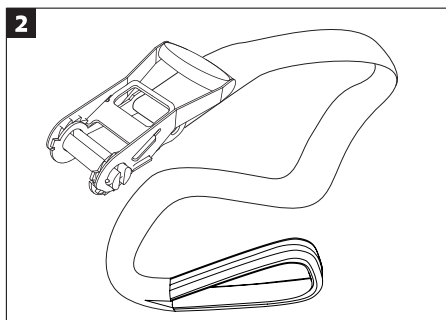
ASSEMBLAGE

La Slackline Gibbon a été conçue pour un assemblage facile et rapide, si vous suivez les instructions de ce manuel. La slackline ne se compose que de deux parties.



LA SANGLE:

Une sangle flexible Gibbon, d'une largeur de 2 pouces (50mm) et munie d'une boucle renforcée (que l'on désigne sous le nom de slackline ou sangle dans ce manuel).



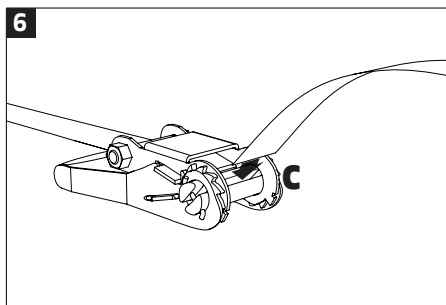
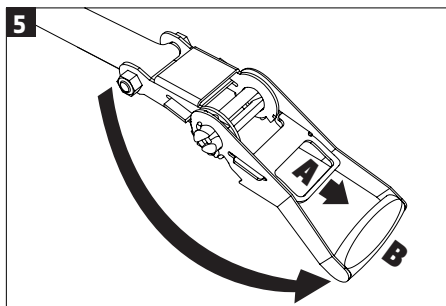
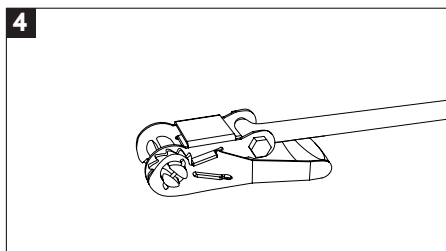
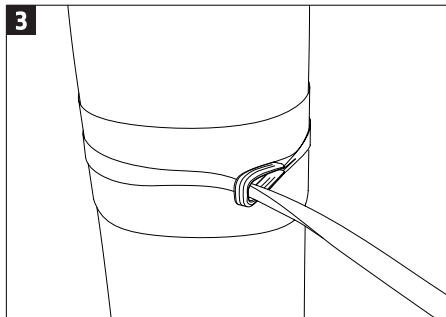
LA SANGLE MUNIE D'UN TENDEUR À CLIQUET:

Un tendeur à cliquet muni d'une sangle flexible Gibbon d'une longueur de 6 pieds (2 mètres), d'une largeur de 50mm et d'une boucle renforcée.

Outre les protections destinées aux arbres (cf. ci-dessous) et qui ne sont pas incluses dans le kit slackline, N'UTILISEZ AUCUN COMPOSANT OU MATÉRIEL AVEC LE KIT SLACKLINE AUTRE QUE LA SANGLE ET LE TENDEUR À CLIQUET DÉCRITS CI-DESSUS!

ARRIMER LA SLACKLINE:

La Slackline Gibbon doit uniquement être attachée à des arbres qui ont une circonférence comprise entre 40 pouces (1m) ou 12 pouces (30cm) et 70 pouces (1.8m). **N'ATTACHEZ PAS LA SLACKLINE À DES ARBRES QUI NE PEUVENT RÉSISTER À UNE FORCE MINIMALE DE 2200 POUNDS (10kN/1000kg).** Utilisez un morceau de tapis, un paillason ou un tapis de sol en caoutchouc mou afin de protéger les arbres d'éventuelles détériorations dues à l'utilisation de la slackline.



ARRIMER LA SANGLE:

Repérez un lieu approprié et sûr avec deux arbres, comme décrit dans le paragraphe 3.1 ci-dessus, et sans dangers, obstacles, saillies à proximité. Passez la sangle autour du tronc de l'arbre à une hauteur d'environ 18 pouces (50cm). La sangle doit rester à plat. Enfilez la sangle dans la lanière afin de former un noeud autour du tronc de l'arbre.

Afin d'assurer le maintien horizontal de la sangle, pliez la sangle en forme de U à l'endroit où elle entre en contact avec la lanière, comme sur la photo.

ARRIMER DE LA SANGLE MUNIE DU TENDEUR À CLIQUET:

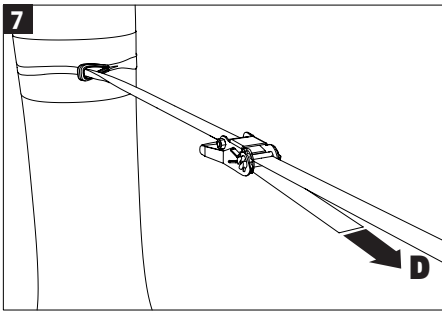
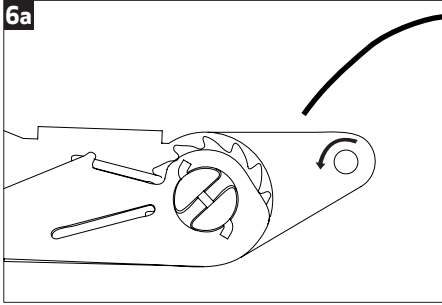
Comme pour la sangle, repérez un lieu approprié et sûr avec deux arbres, comme décrit au paragraphe 3.1 (image 3) ci-dessus, sans dangers, ni obstacles ou saillies à proximité. Enroulez la sangle munie du tendeur à cliquet autour du tronc de l'autre arbre à une hauteur d'environ 18 pouces (50 cm) (image 5). Faites passer le cliquet dans la lanière de façon à former un nœud autour de l'arbre.

Afin d'assurer le maintien horizontal de la sangle, pliez la sangle en forme de U à l'endroit où elle entre en contact avec la lanière, comme sur la photo 3.

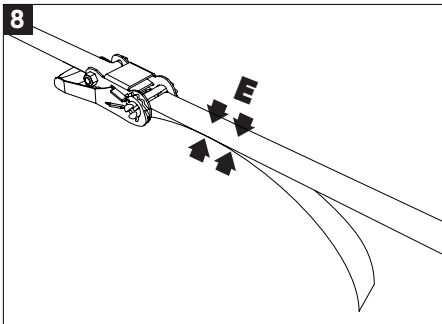
Pour réduire les risques de blessures et/ou de mort, nous vous recommandons d'utiliser le cliquet avec le levier orienté vers le sol, comme sur l'image 4.

Relâchez le tendeur (tirez le petit levier à l'intérieur du tendeur nommé « A » sur l'image 5) et ouvrez le levier principal (« B » sur l'image 5)

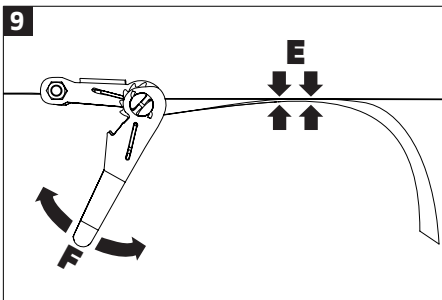
Enfilez la sangle dans la fente de l'axe ("C" sur l'image 6).



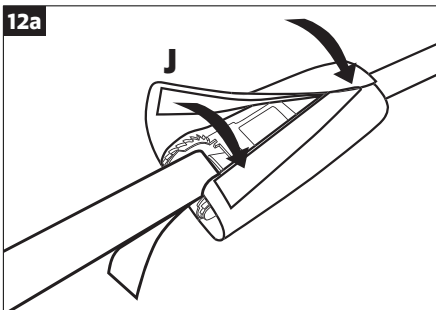
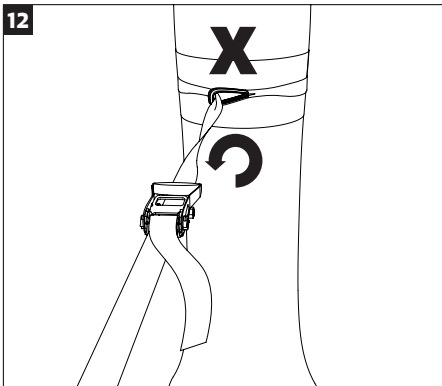
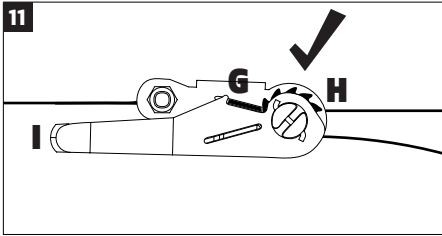
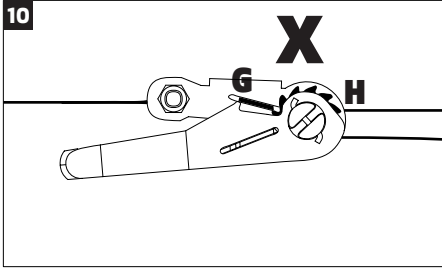
Tirez la sangle jusqu'à ce qu'elle soit parfaitement tendue ("D" sur l'image 7)



Une fois que la sangle est tendue et passe à l'intérieur de la fente de l'axe, utilisez une main pour tenir ensemble les deux sangles ("E" sur les images 8 & 9).



Commencez à serrer le tendeur à cliquet ("F" sur l'image 9).



IMPORTANT! The slackline must not exceed two and a half rotations around the axle of the ratchet.

The tension on the lever of the ratchet must **NEVER** exceed 85 pounds (approx 378N/38.5kg) to prevent seizure and/or failure of the system that may result in serious injury and/or death.

As soon as the band reaches the desired tension, check the ratchet to ensure that the bolt ("G" in Image 10 & 11) rests neatly in the cogging ("H" in Image 10 & 11) and bring the lever back up to a horizontal position parallel to the band ("I" in Image 11).

DO NOT USE THE SLACKLINE IF THE RATCHET IS NOT FULLY SECURED AND LOCKED (UNLOCKED: Image 10; LOCKED: Image 11)!

Tip: The closed lever ("I" in Image 11) is a good indicator that the bolt rests in the cogging and that the ratchet is secured and locked.

You may adjust the tension of the band according to your personal preference, so long as the tension does not exceed 85 pounds (378N/38.5 kg).

Abrasion

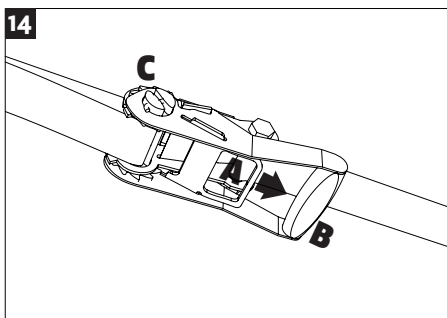
Protégez la sangle des abrasions non nécessaires, des objets tranchants ou de tout endroit rocailleux ou accidenté. Vérifiez la slackline avant et après chaque utilisation et arrêtez d'utiliser la slackline si vous découvrez des abrasions.

Ne jamais tordre la sangle. (Voir l'image 12 ci-dessous.) Tordre la sangle amène le cliquet à se retourner et à passer au-dessus de la sangle. Vous pourrez vous blesser plus facilement. Tordre la slackline accélère en outre l'abrasion de la bande.



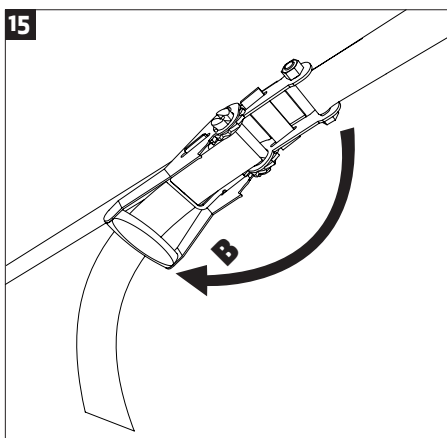
MARCHER SUR LA SLACKLINE CONSEILS :
 REGARDEZ LE POINT D'ANCRAGE DE LA SANGLE DEVANT VOUS, CELA VOUS AIDERA À MAINTENIR VOTRE ÉQUILIBRE. BOUGEZ LES BRAS SI VOUS ÊTES DÉSÉQUILIBRÉ. GARDEZ LES GENOUX FLÉCHIS.

IMPORTANT: PAR MESURE DE SÉCURITÉ, IL NE DEVRAIT JAMAIS Y AVOIR PLUS D'UNE PERSONNE SUR LA SLACKLINE! NE JAMAIS COURIR SUR LA SLACKLINE !



DÉSASSEMBLER LA SLACKLINE:
 Pour relâcher le tendeur à cliquet, tirez le levier de sécurité ("A" sur l'image 14) pour déverrouiller le tendeur à cliquet et ouvrir le levier principal ("B" dans l'image 14) jusqu'à ce que le levier de sécurité soit détaché de la dent d'engrenage ("C" sur l'image 14) et que la sangle soit relâchée (image 15).

IMPORTANT! La sangle est sous tension et il peut y avoir des risques de blessures ou de mort si la slackline n'est pas désassemblée avec précaution.



Une fois que la sangle est relâchée, enlevez la sangle du tendeur à cliquet, contrôlez la sangle pour y détecter d'éventuelles détériorations ou abrasions. Veillez à ce que la sangle soit propre et sèche, enroulez-la et mettez-la dans le sac prévu à cet effet.

Trouvez plus d'information sur:

International:
www.gibbon-slacklines.com



MODO DE EMPREGO

SLACKLINE SET

ENGLISH
DEUTSCH
ESPAÑOL
FRANÇAIS
PORTUGUÊS

Este manual contém informações importantes sobre segurança. Antes de usar o slackline leia este manual cuidadosamente e tenha certeza que você entende e concorda em todos os avisos, precauções, instruções e recomendações de segurança. Periodicamente a informação neste manual e sua slackline inspecionar regularmente por sinais de danos. Não use o slackline menos que você aceita todos os riscos de prejuízo e / ou morte que possam resultar do seu uso.

ATENÇÃO! O SLACKLINE É UM PEDAÇO PERIGOSAS DE EQUIPAMENTOS MESMO QUANDO USADO APROPRIADAMENTE.

Os pais dos menores e dos menores: Menores de idade não devem usar o slackline a menos que eles estão sob constante supervisão de um adulto competente. Certifique-se que o slackline só é instalado em áreas onde os menores não podem acessar o slackline sem supervisão de adultos tal. Os menores não devem usar a catraca ou ajustar a tensão da slackline a qualquer momento.

O slackline foi desenvolvido exclusivamente para um adulto para melhorar o seu equilíbrio, caminhando lentamente em toda a slackline sobre uma superfície plana, e ainda área de pouso suave, sem quaisquer obstáculos, pessoas, projeções, ou perigos próximos. O slackline só deve ser utilizado da forma descrita neste manual. Usando uma lata Slackline ser uma actividade perigosa, que pode resultar em ferimentos graves e / ou mesmo a morte quando usado corretamente. USO DE SUA É SEMPRE senso comum do uso.

Certifique-se que o slackline é fixo apenas para âncoras, como descrito na secção 3.1 e 3.2 abaixo. Não cole o slackline a qualquer ponto de ancoragem que é muito fraco para ancorar de forma segura e usar o slackline ou que não é fixo. Por exemplo, não o ligue slackline a um ou mais carros.

www.gibbon-slacklines.com/br (Brazil) et www.gibbon-slacklines.com (INT) contém informações adicionais. Certifique-se que o solo e área de pouso em que os slackline está suspenso é plana, mesmo, e macio. Você estará caindo em cima!

NÃO definir o slackline em qualquer altura acima de 18 polegadas (50 centímetros).

Certifique-se que não existem obstáculos, perigos, pessoas ou projeções slackline perto do que poderia prejudicá-lo em uma queda. Só use o slackline em locais sem qualquer perigo e / ou perigos.

Use sempre resistente, firmemente atado atlético sapatos com sola de borracha plana.

Não ande descalço ou de sandálias slackline ou usar sapatos com sola lugged.

Mantenha todos os espectadores, pelo menos, 3 metros (9 pés) do slackline.

Nunca use o slackline ao entardecer ou à noite ou em condições de chuva ou gelo.

NÃO permitir mais de uma pessoa usar o slackline a qualquer momento.

NÃO exceder 220 libras (100 quilogramas) em peso no slackline a qualquer momento.

Slackline **ESTE NÃO FOI PROJETADO PARA REALIZAÇÃO** todos os truques, **INCLUINDO MAS NÃO SE LIMITANDO** a saltar, Lançando, ETC. Risco de lesões e / ou morte aumenta significativamente quando **TRICKS** são tentadas ou prestados.

Esta slackline não é imune a danos. **DEVE** Slackline ser mantidos e inspecionados antes de cada uso. **FALTA DE FISCALIZAÇÃO E MANTER A Slackline ANTES DE CADA UTILIZAÇÃO PODE RESULTAR EMPREJUÍZO E / OU MORTE.** O **USO DE QUALQUER PEÇAS** não fornecidos pelo fabricante são **NÃO RECOMENDADO E PODE DANIFICAR O Slackline, Impacto de desempenho, reduzir o tempo de vida do PRODUTO, e causar lesões e / ou morte.**

FALTA DE:

- senso comum do uso,
- Use as Slackline recomendada nesse manual, E / OU
- atender às advertências e instruções deste manual
- Aumenta significativamente o risco de lesões graves e / ou morte.
- Quando montada, a Slackline está sob tensão, susceptível de ser igual ou superior 1.500 kg (7 kN/700). Devido à tensão ALTA DO Slackline, grande cuidado deve ser exercitado ao usar o Slackline para diminuir o risco de lesões e / ou morte. Sobrecarga de Slackline com mais de 220 libras (100 kg) E / OU MAIS DE UMA PESSOA AUMENTA A TENSÃO E pode causar o Slackline E / OU catraca FAIL, resultando em lesões e / ou morte.

Verifique as leis locais sobre slacklines para ver onde e como você pode legalmente usar o slackline. Em algumas cidades e estados slacklining uso de bens públicos é ilegal, restrito ou proibido. Você pode ver as pessoas na TV ou na internet fazendo truques e acrobacias sobre uma slackline. Estas são pessoas que têm praticado por um longo tempo, que são altamente qualificados, e que aceitam o risco de todas as lesões e / ou morte. **NÃO TENTE** execute qualquer truques NESTE Slackline menos que você aceite **TODOS OS RISCOS DE PREJUÍZO E / OU MORTE.**

DO FABRICANTE E REVENDEDORES DESTES Slackline EXPRESSAMENTE ISENTAM DE TODA E QUALQUER RESPONSABILIDADE POR QUALQUER MORTE, paralisia, lesão e / ou danos causados a bens ou da pessoa que pode acontecer que tenham origem ou é de alguma forma RELACIONADOS AO USO DE PRESENTE PRODUTO.

GARANTIA

Este produto tem garantia contra qualquer defeito material ou de fabricação por dois (2) anos a contar da data de compra como declarou em um recibo válido. ESTA GARANTIA NÃO COBRE ou conter qualquer dano ou defeito CAUSADOS POR: desgaste normal, modificações ou alterações, armazenamento incorreto, má manutenção, e / ou danos resultantes de acidentes, NEGLIGÊNCIA, OU MAU USO (INCLUINDO MAS NÃO SE LIMITANDO A QUALQUER USO NÃO explicitamente aprovado neste manual). Certifique-se de secar completamente a slackline antes de armazenar.

Outros, como descrito acima, o construtor, vendedores e revendedores de ESTE PRODUTO NÃO FAZEM OUTRAS DECLARAÇÕES E / OU GARANTIA, EXPRESSA OU IMPLÍCITA, COM RESPEITO AO PRODUTO, INCLUINDO, SEM LIMITAÇÃO, QUAISQUER GARANTIAS quanto à aptidão COMERCIALIZAÇÃO, QUALIDADE, ou para um PROPÓSITO. DO FABRICANTE, vendedores e revendedores NÃO SERÃO RESPONSÁVEIS EM qualquer forma por ESPECIAIS, INDIRETOS, CONSEQUENTES, INCIDENTAIS OU DANOS, SEJAM BASEADOS EM QUEBRA DE CONTRATO, VIOLAÇÃO DE GARANTIA, ATO ILÍCITO (INCLUINDO NEGLIGÊNCIA), RESPONSABILIDADE PELO PRODUTO OU DE OUTRA FORMA, MESMO ELES TÊM SIDO AVISADO DA POSSIBILIDADE DE TAIS DANOS. O Slackline CONCORDA que o seu cheio RECURSO contra o fabricante, vendedores e revendedores para QUALQUER RESPONSABILIDADE, reivindicações ou DANOS, SERÁ LIMITADA AO PREÇO DE COMPRA DO Slackline, e renuncia IRREVOGAVELMENTE TODAS AS REIVINDICAÇÕES PARA QUALQUER OUTRO DANO QUE TAL Slackline usuário pode ter.

OUTRAS ADVERTÊNCIAS:

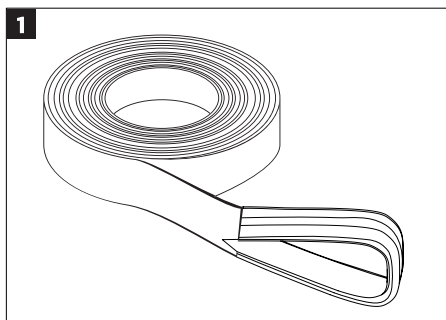
ATENÇÃO! Não use quaisquer peças ou materiais para instalar o slackline ou em conexão com o uso do slackline exceto as peças e materiais fornecidos pela Gibbon Slacklines.

USO DA CATRACA é perigosa e pode levar à lesão e / ou morte. A catraca deve nunca ser usado por menores e EXTREME cuidado e cuidado deve ser tomado quando USADO POR ADULTOS. O Slackline CORREIA NÃO DEVE EXCEDER DOIS E MEIA uma rotação em torno do eixo da catraca. (Ver ponto 3.4.) A tensão na alavanca da catraca não deve exceder 85 libras (aprox. 378N/38,5kg) para evitar a apreensão e / ou falha do sistema slackline, resultando em lesões graves e / ou morte. NUNCA usar as pernas ou qualquer outro dispositivo ou parte do corpo DIFERENTES SUAS MÃOS PARA OPERAR A catraca.

Esta slackline não deve ser anexado ou montados entre veículos (por exemplo, automóveis ou caminhões), por várias razões, inclusive porque a tensão pode facilmente exceder o limite de segurança de 85 libras (aprox. 378N/38,5kg). Esta slackline não devem ser montados ou utilizados em qualquer altura acima de 18 polegadas (50 cm). Slacklining é um esporte bonito, mas os seus perigos, incluindo lesões graves e / ou morte, são significativas e não deve nunca ser subestimado!

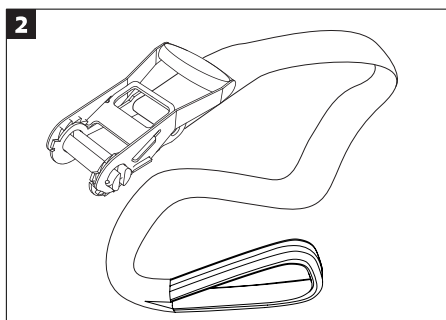
Assembléia

O Slackline Gibbon é projetado para montagem rápida e fácil se você seguir as instruções deste Manual. O slackline consiste de apenas dois componentes:



THE BAND:

2 polegadas de largura (50 mm) com Gibbon Flexband cinta coberto (também referida como a slackline "ou" linha, neste Manual)



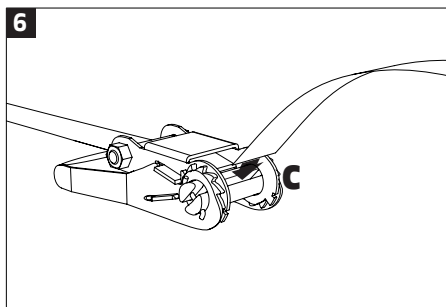
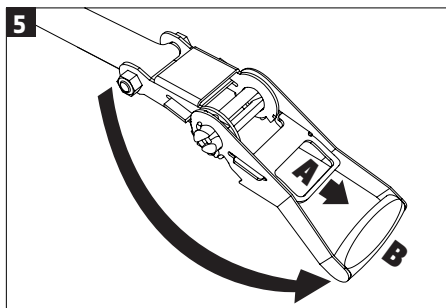
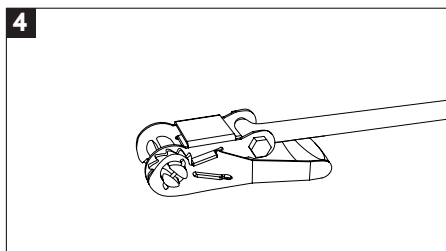
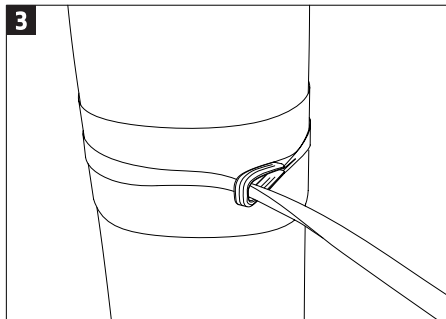
O RATCHET:

Fixada a uma de 6 pés (2m) de comprimento x 2 polegadas (50 mm) de largura Gibbon Flexband coberto com cinta.

Exceto para a protecção da árvore descrita abaixo, e que não está incluído, NÃO USE QUALQUER OUTRO componentes, peças ou materiais com esta Slackline outro jogo do que a banda ea catraca DESCRITO ACIMA!

ANCORANDO O SLACKLINE:

O Slackline Gibbon só deve ser fixado em árvores que têm um perímetro mínimo de 40 polegadas (1m) ou 12 polegadas (30 centímetros) de diâmetro e uma circunferência máxima de 70 polegadas (1,8 m). Não cole o Slackline a qualquer árvore que não pode suportar UM MÍNIMO DE FORÇA 2200 libras (kN/1000kg 10). Use um tapete ou tapete de borracha macia para proteger as árvores de quaisquer danos desnecessários devido à slackline.



A ANCORAGEM DA BANDA:

Localize um local adequado, seguro e com duas árvores, conforme descrito no subitem 3.1 acima, sem perigos, obstáculos, projeções, ou outros perigos nas proximidades. Enrole a banda plana ao redor do tronco da árvore, a uma altura de aproximadamente 18 polegadas (50 centímetros). Passe a banda através da cinta para formar um laço ao redor do tronco da árvore.

A fim de alinhar horizontalmente a banda, dobre a banda em forma de U no lugar onde ele enfia até o final laço da fita, como mostrado na foto.

ANCORANDO O RATCHET:

Tal como acontece com a banda, localizar um local adequado, seguro e com duas árvores, conforme descrito no subitem 3.1 (Imagem 3) acima, sem perigos, obstáculos, projeções, ou outros perigos nas proximidades. Enrole a faixa anexa à catraca apartamento em torno do tronco da árvore outro a uma altura de aproximadamente 18 polegadas (50 centímetros) (Imagem 5). Passe a catraca através da cinta para formar um laço ao redor do tronco da árvore.

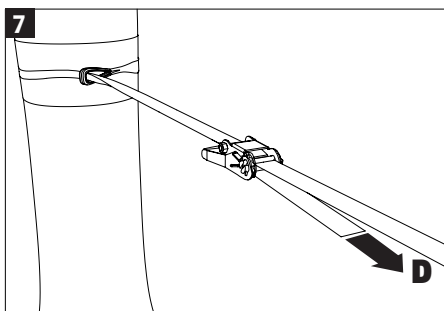
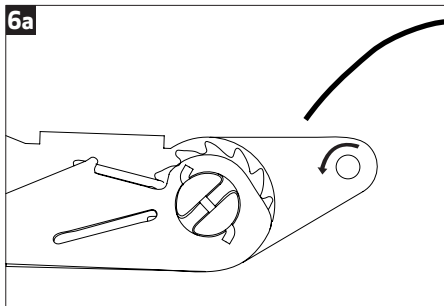
A fim de alinhar horizontalmente a banda, dobre a banda em forma de U no lugar onde ele enfia até o final do ciclo a pulseira conforme mostrado na imagem 3.

Para reduzir o risco de lesões graves e / ou morte, instalar a catraca com a alavanca para baixo em direção ao chão, como mostrado na imagem 4.

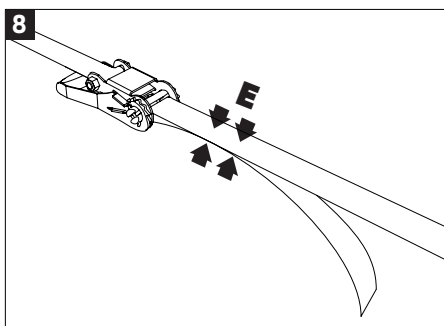
LIGAR A BANDA PARA OS CATRACA:

Liberação da catraca (puxe a alavanca pequena dentro da catraca marcou "A" na imagem 5) e abra a alavanca principal ("B" na imagem 5).

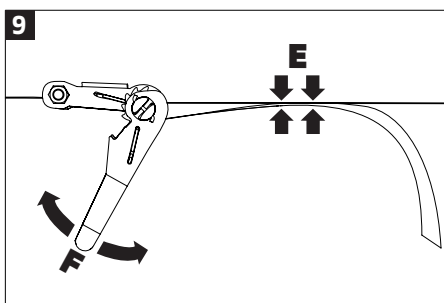
Passe a banda através da ranhura no eixo ("C" na imagem 6).



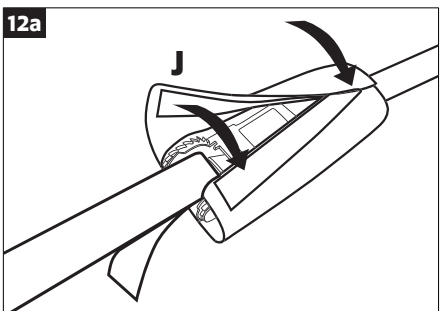
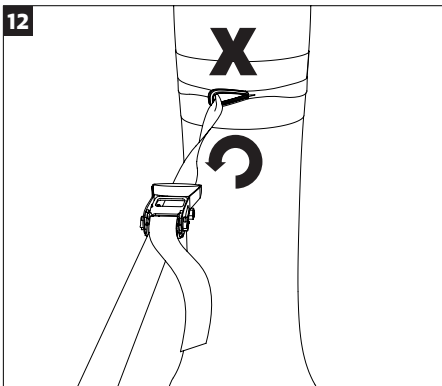
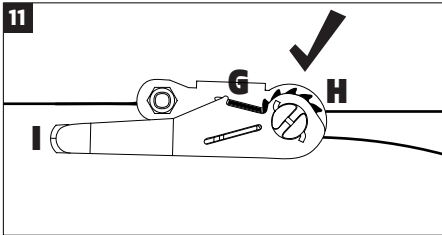
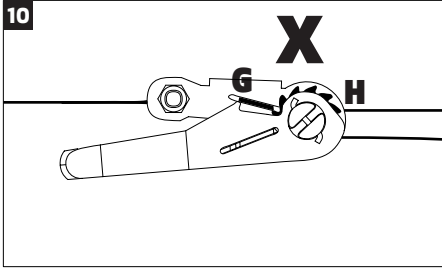
Puxar a banda através do eixo até que a banda está tensa (ou seja, não há folga na banda) ("D" na imagem 7).



Uma vez que a banda é esticada através do eixo, use uma mão para segurar os dois lados da banda juntos ("E" à imagem de 8 e 9).



Comece a apertar a catraca. ("F" na imagem 9)



IMPORTANTE! O slackline não deve exceder duas rotações e meia em torno do eixo da catraca.

A tensão na alavanca da catraca **NUNCA** deve ultrapassar 85 libras (cerca 378N/38,5kg) para evitar a apreensão e / ou falha do sistema que pode resultar em lesões graves e / ou morte.

Assim que a banda atinge a tensão desejada, verifique a catraca para garantir que o parafuso ("G" à imagem de 10 & 11) cabe perfeitamente no cogging ("H" à imagem de 10 e 11) e trazer a alavanca para trás até um paralelo posição horizontal para a banda ("I" na imagem 11). **NÃO USE O Slackline SE A** catraca não está plenamente assegurado e travada (UNLOCKED: Imagem 10; LOCKED: Imagem 11)!

Dica: A alavanca fechada ("eu" em Imagem 11) é um bom indicador de que o parafuso está nas cogging e que a catraca é seguro e travado.

Você pode ajustar a tensão da banda de acordo com sua preferência pessoal, contanto que a tensão não superior a 85 quilos (kg 378N/38.5).

ABRASÃO

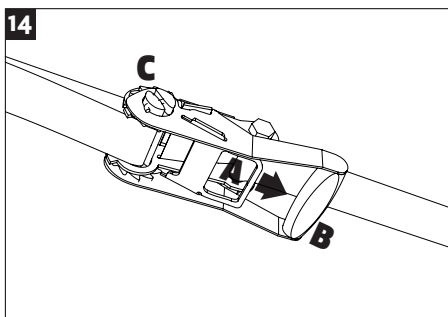
Proteja a banda de desgaste desnecessário, arestas cortantes e quaisquer outros lugares ásperos. Inspeccionar o Slackline antes e após cada utilização e à abrasão, se for descoberta, parar de usar o Slackline.

Nunca toque na banda. (Veja a imagem abaixo de 12. Twisting) faz com que a catraca para virar para o início da banda e pode ser ferido com mais facilidade. Torcendo também acelera o desgaste da banda.



WALKING THE SLACKLINE:

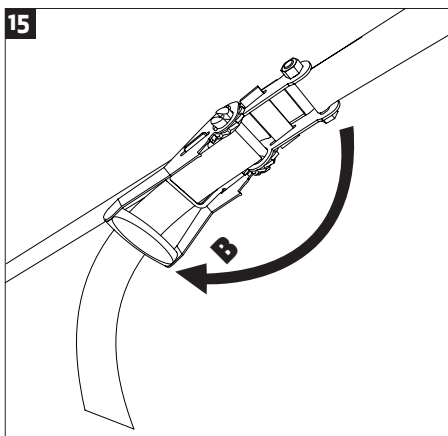
DICAS: OLHE PARA O PONTO DE ANCORAGEM DA BANDA NA FRENTE DE VOCÊS PARA O EQUILÍBRIO. MOVA OS BRAÇOS PARA CORRIGIR OS DESEQUILÍBRIOS. MANTENHA OS JOELHOS DOBRADOS. IMPORTANTE: POR RAZÕES DE SEGURANÇA NÃO DEVE NUNCA SER MAIS DO QUE UMA PESSOA NO SLACKLINE! NUNCA MAIS NA SLACKLINE!



DESMONTAGEM DO SLACKLINE

Para liberar a catraca puxar a alavanca de segurança ("A" na imagem 14) para destravar a catraca e abra a alavanca principal ("B" à imagem de 14) até a segurança destaca alavanca da engrenagem ("C" na imagem 14) e a banda é liberado (Imagem 15).

IMPORTANTE! A banda está sob tensão e prejuízo e / ou morte pode ocorrer se não forem desmontados.



Uma vez que a banda está liberado, separar a banda da catraca, inspecionar a banda para escoriações e danos, certifique-se a banda está limpa e seca, e roll-up da banda e colocá-lo em seu saco de armazenamento.

Brazil:
www.gibbon-slacklines.com/br

International:
www.gibbon-slacklines.com